

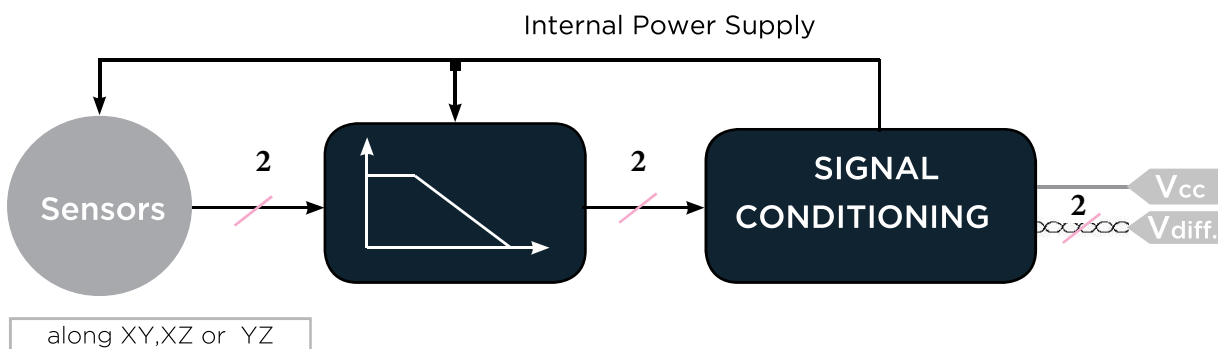
HIGH RESOLUTION INDUSTRIAL ACCELEROMETER



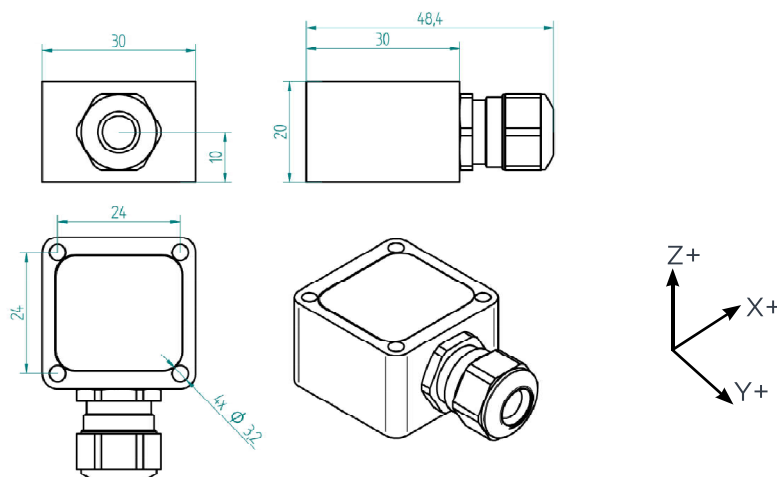
PROPERTIES

- 2-axis, low noise accelerometer
- Amplified $\pm 4V$ differential output
- Suited for direct connection to standard control and measurement equipment, e.g. PLCs or panel meters
- Embedded signal conditioning
- Compact and rugged design
- Protection grade IP67

BLOCK DIAGRAM



DIMENSIONS



SPECIFICATIONS - ALL MODELS

OUTPUT / CHANNEL	Output Range	$\pm 4V$	
	Supply voltage	10...30VDC	
	Lower frequency limit	0 Hz (DC)	
	Non-linearity	$\pm 0.5 \% \text{ F.S.}$	
	Sensitivity error	0.5 % typ. - 1 % max.	
	Transverse Sensitivity	2 % typ. - 3% max.	
	Offset	0.2 % F.S. typ. - 0.5 % F.S. max.	
	Destruction limit	$\pm 5000g$	
ENVIRONMENTAL CHARACTERISTICS		<i>Operating</i>	<i>Non-Operating</i>
	Operating temperature range	- 40...80°C ⁽¹⁾	- 55...125 °C
	Temperature coefficient of sensitivity	$\pm 0.03 \% / ^\circ C$	
	Temperature drift of zero point	$\pm 0.02 \% \text{ F.S.} / ^\circ C$	
	Protection grade	IP67	
MECHANICAL DATA	Weight Without Cable	40 gr	
	Case Material	Aluminum (MIL-A-8625 Type II coating) ⁽²⁾	
	Mounting	3.2 mm diameter holes (4x)	

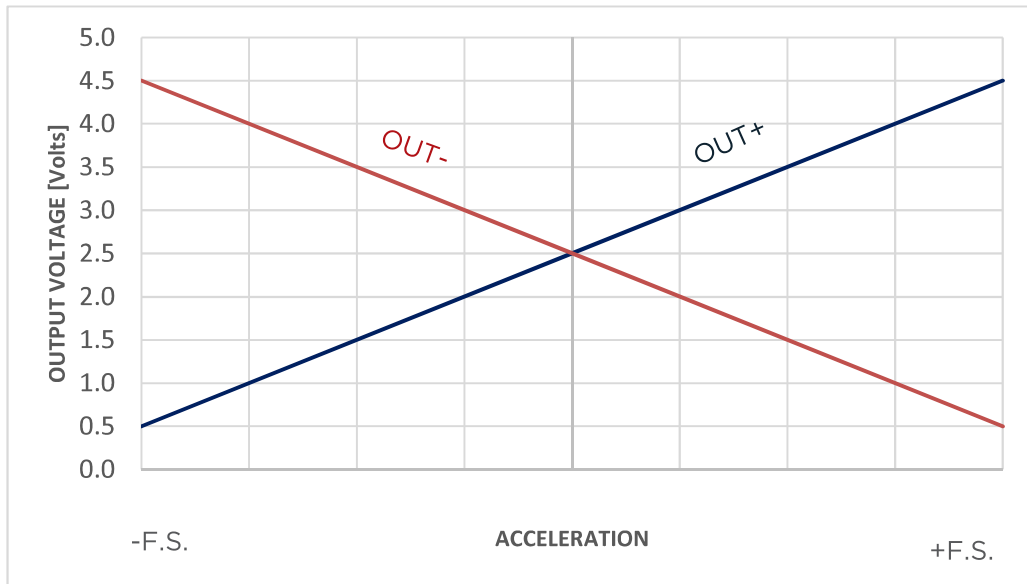
⁽¹⁾ Maximum temperature due to accelerometer cable - operating temperature up to $\pm 125^\circ C$ possible with special cable upon request

⁽²⁾ Stainless Steel Casing and Cable Gland A4 (AISI316) Grade Upon Request (e.g. for offshore/marine environment)

PERFORMANCES - BY MODEL

Range	Sensitivity	Frequency Response (-3dB)	Noise
g	mV/g	Hz	$\mu g / \sqrt{Hz}$
± 2	2000	0 - 400	5
± 5	800	0 - 600	7
± 10	400	0 - 1000	10
± 25	160	0 - 1500	25
± 50	80	0 - 2000	50
± 100	40	0 - 2500	100
± 200	20	0 - 3000	200
± 400	10	0 - 4000	400

ELECTRICAL RESPONSE



ELECTRICAL CONNECTIONS

Signal (XY sensing)	Signal (XZ sensing)	Signal (YZ sensing)	2 x 3 x 0.14 ²
Supply ⁺	Supply ⁺	Supply ⁺	White
Supply ⁻	Supply ⁻	Supply ⁻	Brown
x-axis ⁺	x-axis ⁺	y-axis ⁺	Yellow
x-axis ⁻	x-axis ⁻	y-axis ⁻	Green
y-axis ⁺	z-axis ⁺	z-axis ⁺	Pink
y-axis ⁻	z-axis ⁻	z-axis ⁻	Grey

ORDERING INFORMATION

IAC	-	HiRes	-	Ud	-	02	-	AA	-	X g	-	XX.X m
								Sensing Axes		RANGE		Cable Length
								XY		2	± 2g	
								XZ		5	± 5g	
								YZ		10	± 10g	
										25	± 25g	
										50	± 50g	
										100	± 100g	
										200	± 200g	
										400	± 400g	