

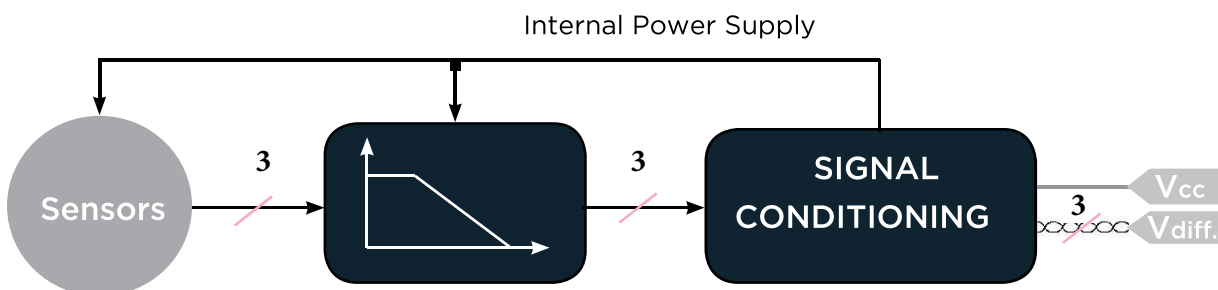
### HIGH RESOLUTION INDUSTRIAL ACCELEROMETER



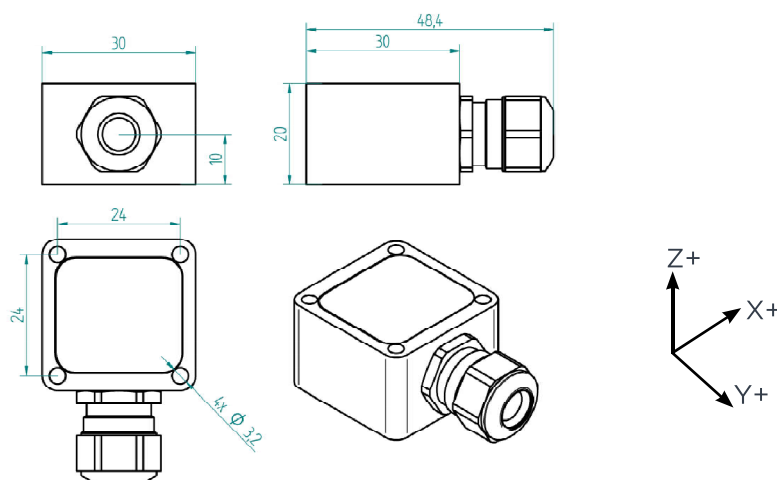
#### PROPERTIES

- 3-axis, low noise accelerometer
- Amplified  $\pm 4V$  differential output
- Suited for direct connection to standard control and measurement equipment, e.g. PLCs or panel meters
- Embedded signal conditioning
- Compact and rugged design
- Protection grade IP67

#### BLOCK DIAGRAM



#### DIMENSIONS



## SPECIFICATIONS - ALL MODELS

<b>OUTPUT / CHANNEL</b>	Output Range	± 4V	
	Supply voltage	10...30VDC	
	Lower frequency limit	0 Hz (DC)	
	Non-linearity	± 0.5 % F.S.	
	Sensitivity error	0.5 % typ. - 1 % max.	
	Transverse Sensitivity	2 % typ. - 3% max.	
	Offset	0.2 % F.S. typ. - 0.5 % F.S. max.	
	Destruction limit	± 5000g	
<b>ENVIRONMENTAL CHARACTERISTICS</b>		<i>Operating</i>	<i>Non-Operating</i>
	Operating temperature range	- 40...80°C <sup>(1)</sup>	- 55...125 °C
	Temperature coefficient of sensitivity	± 0.03 %/°C	
	Temperature drift of zero point	± 0.02 % F.S./°C	
	Protection grade	IP67	
<b>MECHANICAL DATA</b>	Weight Without Cable	40 gr	
	Case Material	Aluminum (MIL-A-8625 Type II coating) <sup>(2)</sup>	
	Mounting	3.2 mm diameter holes (4x)	

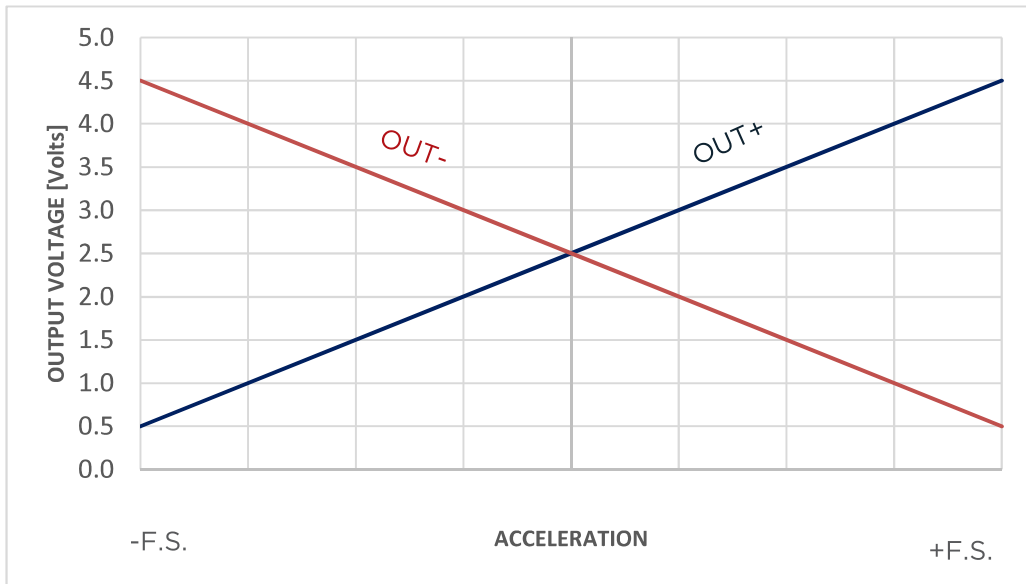
<sup>(1)</sup> Maximum temperature due to accelerometer cable - operating temperature up to ± 125°C possible with special cable upon request

<sup>(2)</sup> Stainless Steel Casing and Cable Gland A4 (AISI316) Grade Upon Request (e.g. for offshore/marine environment)

## PERFORMANCES - BY MODEL

Range	Sensitivity	Frequency Response (-3dB)	Noise
g	mV/g	Hz	µg/√Hz
±2	2000	0 - 400	5
±5	800	0 - 600	7
±10	400	0 - 1000	10
±25	160	0 - 1500	25
±50	80	0 - 2000	50
±100	40	0 - 2500	100
±200	20	0 - 3000	200
±400	10	0 - 4000	400

# ELECTRICAL RESPONSE



# ELECTRICAL CONNECTIONS

Signal	2 x 4 x 0.14 <sup>2</sup>
Supply <sup>+</sup>	White
Supply <sup>-</sup>	Brown
x-axis <sup>+</sup>	Yellow
x-axis <sup>-</sup>	Green
y-axis <sup>+</sup>	Pink
y-axis <sup>-</sup>	Grey
z-axis <sup>+</sup>	Red
z-axis <sup>-</sup>	Blue

# ORDERING INFORMATION

**IAC** - 
 **HiRes** - 
 **Ud** - 
 **03** - 
 **X g** - 
 **XX.X m**

RANGE	
2	± 2g
5	± 5g
10	± 10g
25	± 25g
50	± 50g
100	± 100g
200	± 200g
400	± 400g

Cable Length