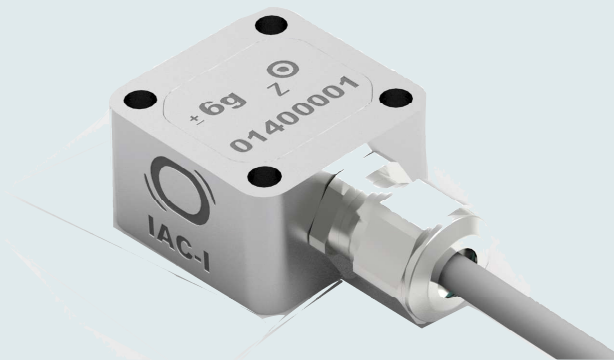


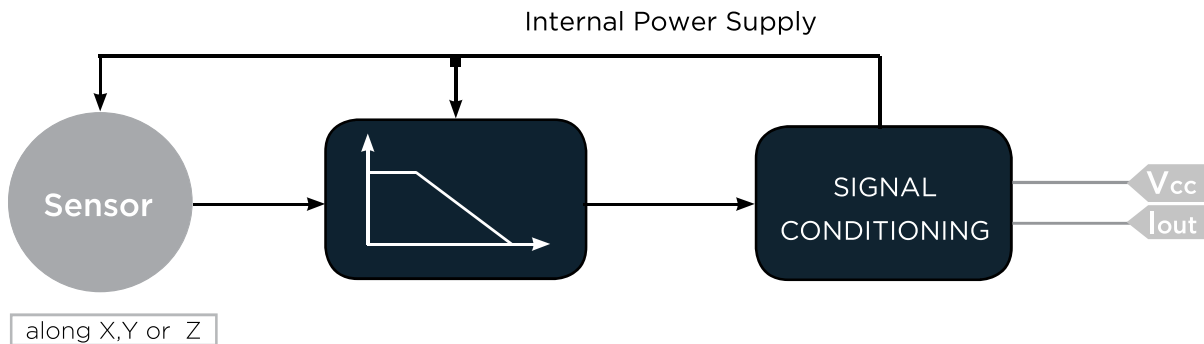
INDUSTRIAL ACCELEROMETER (4-20 mA)



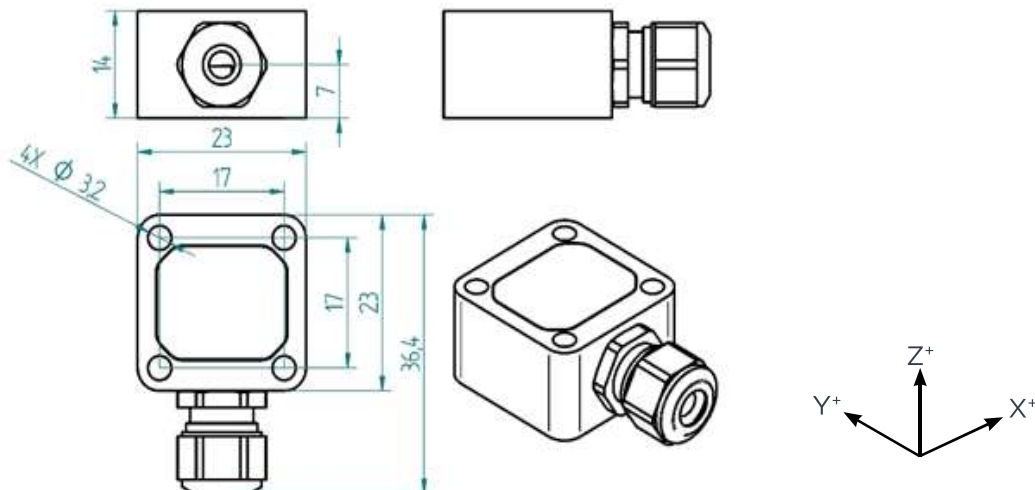
PROPERTIES

- Suited for direct connection to standard control and measurement equipment, e.g. PLCs or panel meters
- Embedded 4..20mA signal conditioning
- Self-powered Current Loop
- Galvanically Isolated
- Protected against false polarization
- Compact and rugged design
- Protection grade IP67

BLOCK DIAGRAM



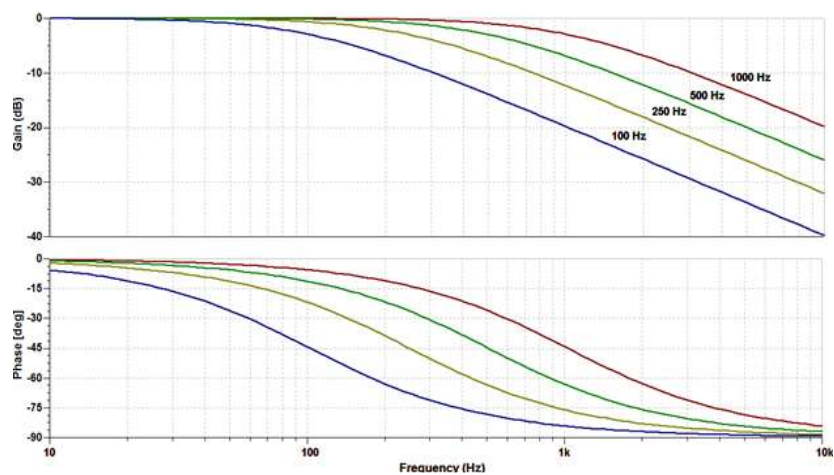
DIMENSIONS



SPECIFICATIONS - ALL MODELS

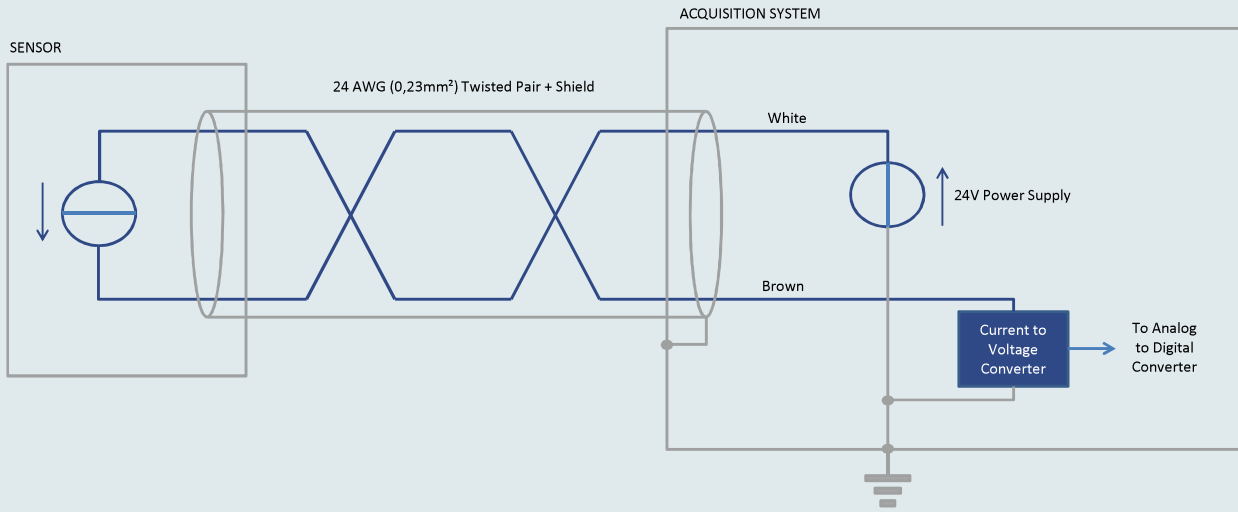
OUTPUT	Output Range	4..20mA	
	Supply voltage	12...30 V	
	Measuring Range	$\pm 2g$ or $\pm 6g$	
	Sensibility	4.5 mA/g or 1.35 mA/g	
	Lower frequency limit	0 Hz (DC)	
	Max. Upper 3dB frequency limit	1000 Hz	
	Non-linearity	$\pm 0.5 \% \text{ F.S.}$	
	Residual noise	50 $\mu\text{g}/\sqrt{\text{Hz}}$	
	Transverse sensitivity	< 5 %	
Destruction limit	$\pm 5000 g$		
ENVIRONMENTAL CHARACTERISTICS	Operating temperature range	<i>Operating</i> - 20...85 °C ⁽¹⁾	<i>Non-Operating</i> - 40...85 °C (-40..167°F)
	Temperature coefficient of sensitivity	$\pm 0.01 \% / ^\circ\text{C}$	
	Temperature drift of zero point	$\pm 0.5 \text{ mg}/^\circ\text{C}$	
	Protection grade	IP67	
MECHANICAL DATA	Weight Without Cable	30gr (1 oz)	
	Case Material	Aluminum (MIL-A-8625 Type II coating)	
	Mounting	3.2 mm diameter holes (4x)	

POSSIBLE FILTER AMPLITUDE RESPONSES



1ST order filter

ELECTRICAL CONNECTIONS



ORDERING INFORMATION

