

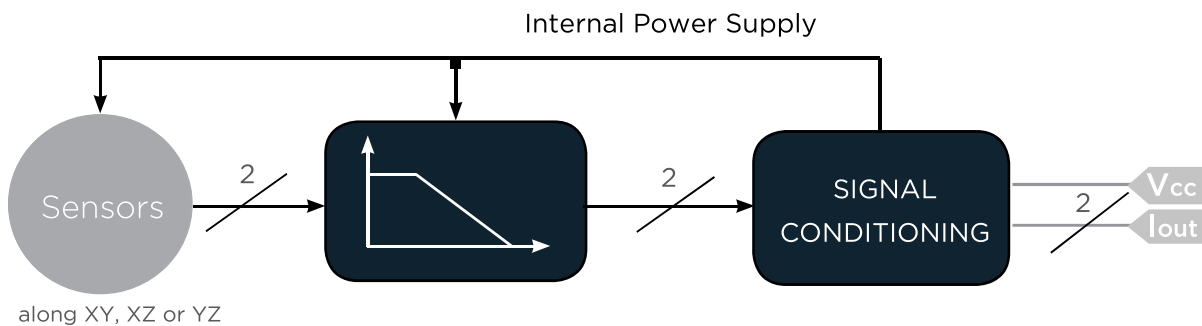
### INDUSTRIAL ACCELEROMETER (4-20 mA)



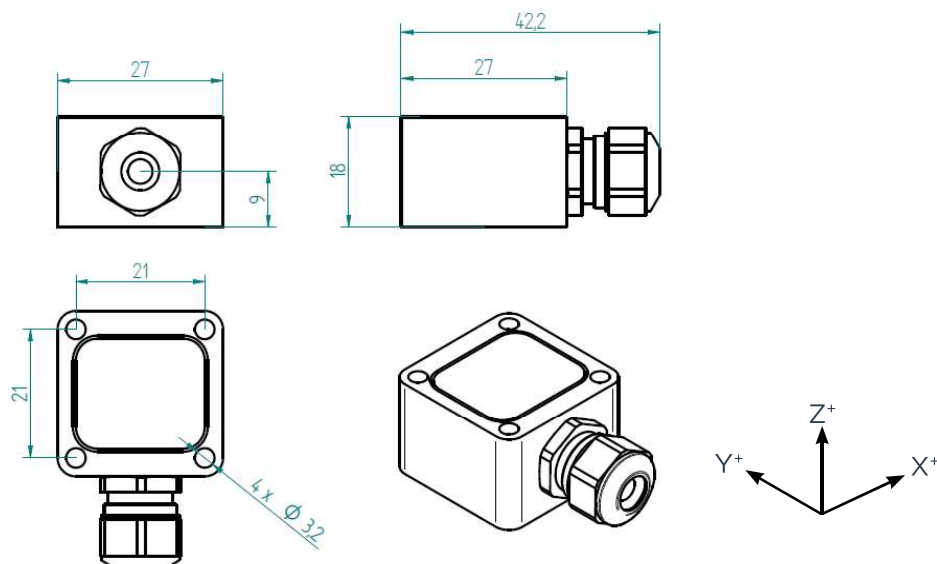
#### PROPERTIES

- 2 axis
- Suited for direct connection to standard control and measurement equipment, e.g. PLCs or panel meters
- Embedded 4..20mA signal conditioning
- Galvanically Isolated
- Protected against false polarization
- Compact and rugged design
- Protection grade IP67

#### BLOCK DIAGRAM



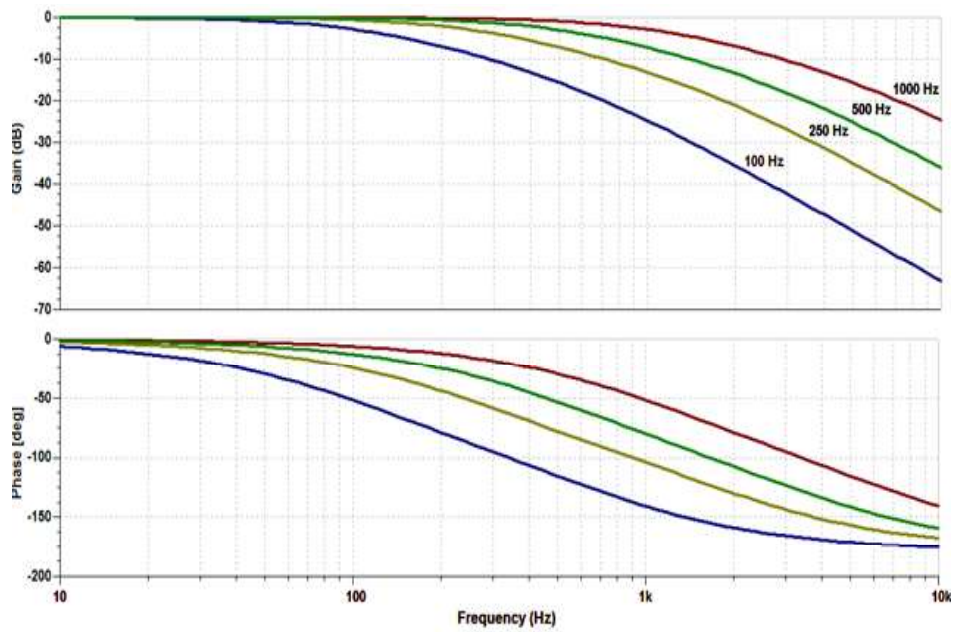
#### DIMENSIONS



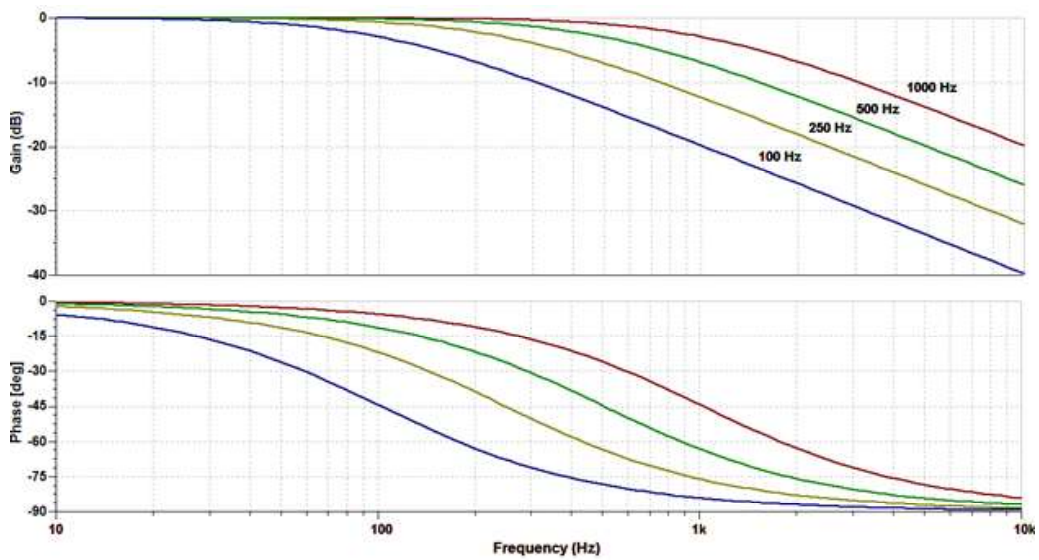
## SPECIFICATIONS - ALL MODELS

<b>OUTPUT/ CHANNEL</b>	Output Range	4..20mA	
	Supply voltage	12...30 V	
	Measuring Range	$\pm 2$ or $\pm 6g$	
	Sensibility	3.20mA/g ( $\pm 2g$ range) or 1.07 mA/g ( $\pm 6g$ range)	
	Lower frequency limit	0 Hz (DC)	
	Max. Upper 3dB frequency limit	100, 250, 500 or 1000 Hz (1 <sup>st</sup> and 2 <sup>nd</sup> order)	
	Non-linearity	$\pm 0.5$ % F.S.	
	Residual noise	< 50 $\mu g/\sqrt{Hz}$	
	Transverse sensitivity	< 5 %	
	Destruction limit	$\pm 5000$ g	
<b>ENVIRONMENTAL CHARACTERISTICS</b>		<i>Operating</i>	<i>Non-Operating</i>
	Operating temperature range	- 20...85 °C (-4..185°F)	-40...85°C (-40..167°F)
	Temperature coefficient of sensitivity	$\pm 0.01$ %/°C	
	Temperature drift of zero point	$\pm 0.5$ mg/°C	
	Protection grade	IP67	
<b>MECHANICAL DATA</b>	Weight Without Cable	40gr	
	Case Material	Aluminum (MIL-A-8625 Type I coating)	
	Mounting	3.2 mm diameter holes (4x)	

# POSSIBLE FILTER AMPLITUDE RESPONSES

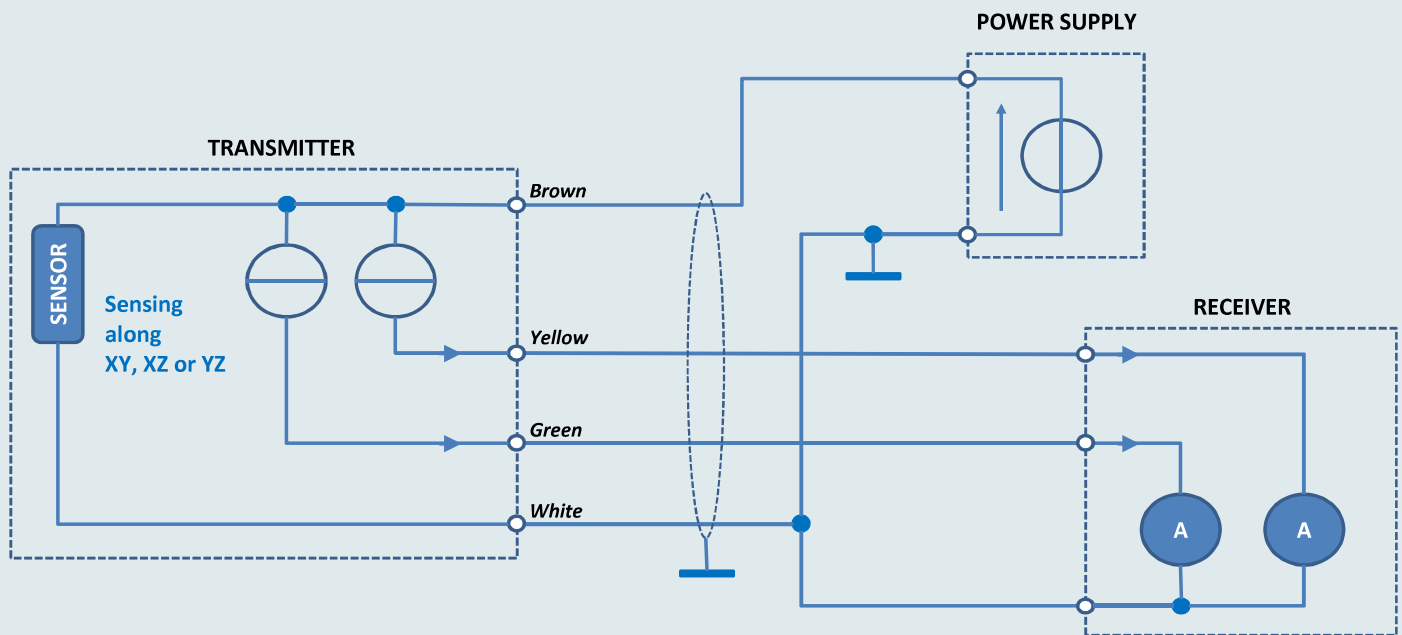


2<sup>nd</sup> order filter



1<sup>st</sup> order filter

# ELECTRICAL CONNECTIONS



Signal (XY sensing)	Signal (XZ sensing)	Signal (YZ sensing)	4 x 0.25 <sup>2</sup>
Supply <sup>+</sup>	Supply <sup>+</sup>	Supply <sup>+</sup>	Brown
Supply <sup>-</sup>	Supply <sup>-</sup>	Supply <sup>-</sup>	White
x-axis	x-axis	y-axis	Yellow
y-axis	z-axis	z-axis	Green

## ORDERING INFORMATION

IAC	-	I	-	02	-	AA	-	X	-	XXXX Hz	-	X	-	XX.X m	
						Sensing Axes		Range		Low Pass Filter Frequency		Filter Order		Cable Length	
						XY		2 ± 2g		0100 100Hz		1 1 <sup>st</sup> order			
						XZ		6 ± 6g		0250 250Hz		2 2 <sup>nd</sup> order			
						YZ				0500 500Hz					
										1000 1000Hz					