

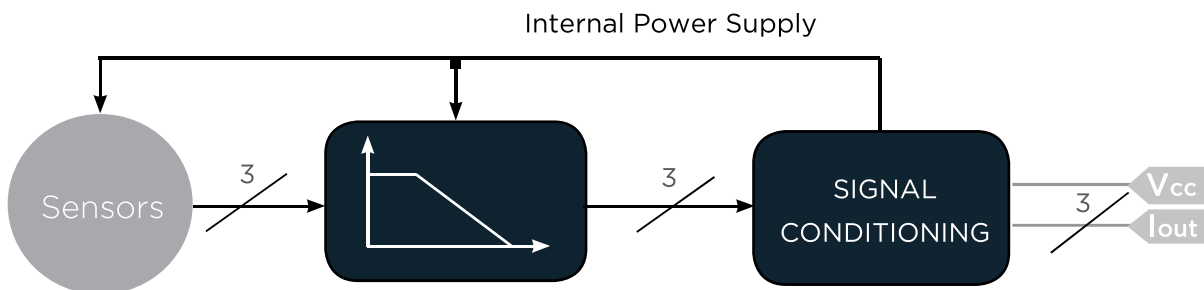
### INDUSTRIAL ACCELEROMETER (4-20 mA)



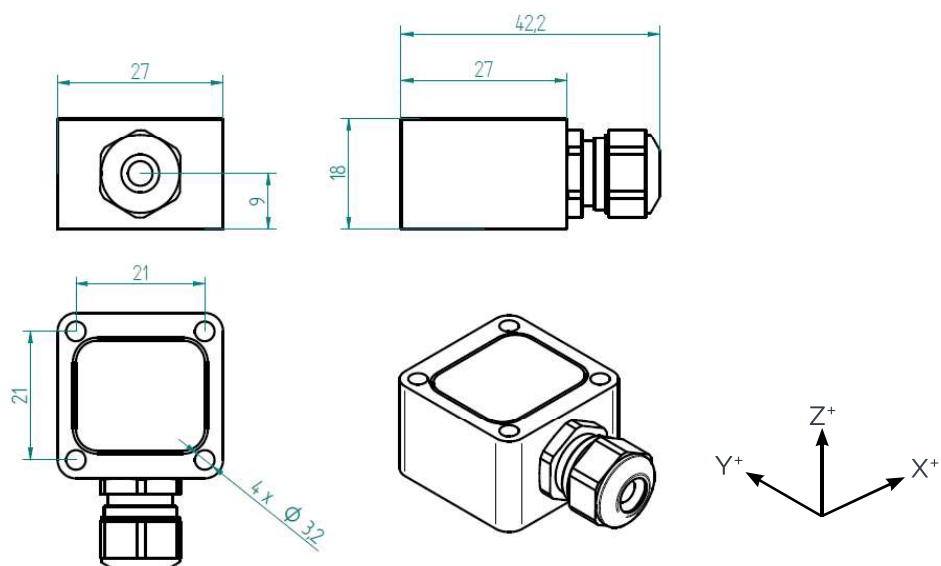
#### PROPERTIES

- 3 axis
- Suited for direct connection to standard control and measurement equipment, e.g. PLCs or panel meters
- Embedded 4..20mA signal conditioning
- Galvanically Isolated
- Protected against false polarization
- Compact and rugged design
- Protection grade IP67

#### BLOCK DIAGRAM



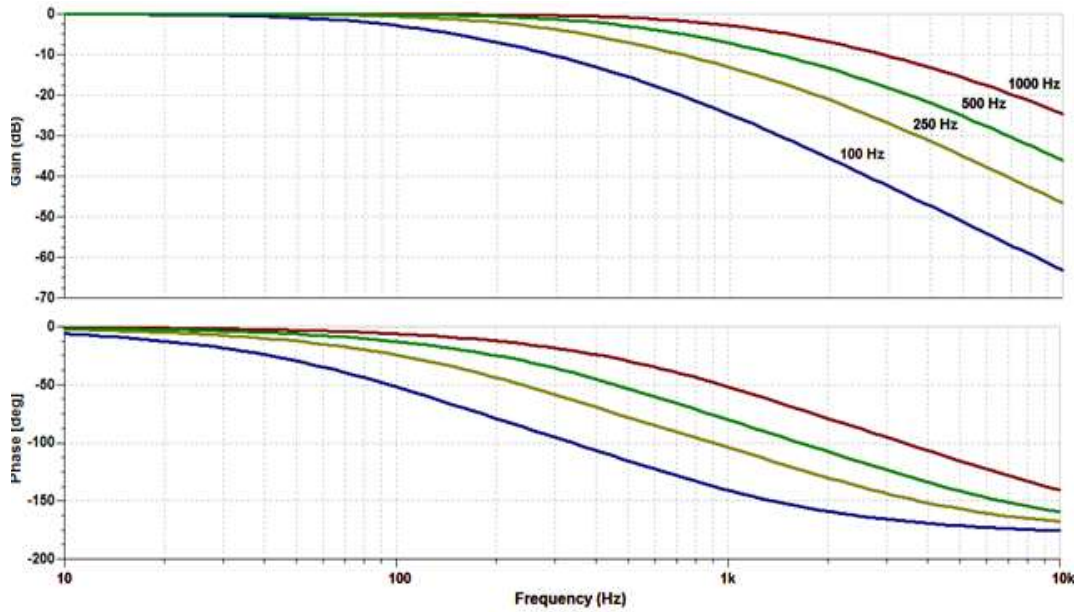
#### DIMENSIONS



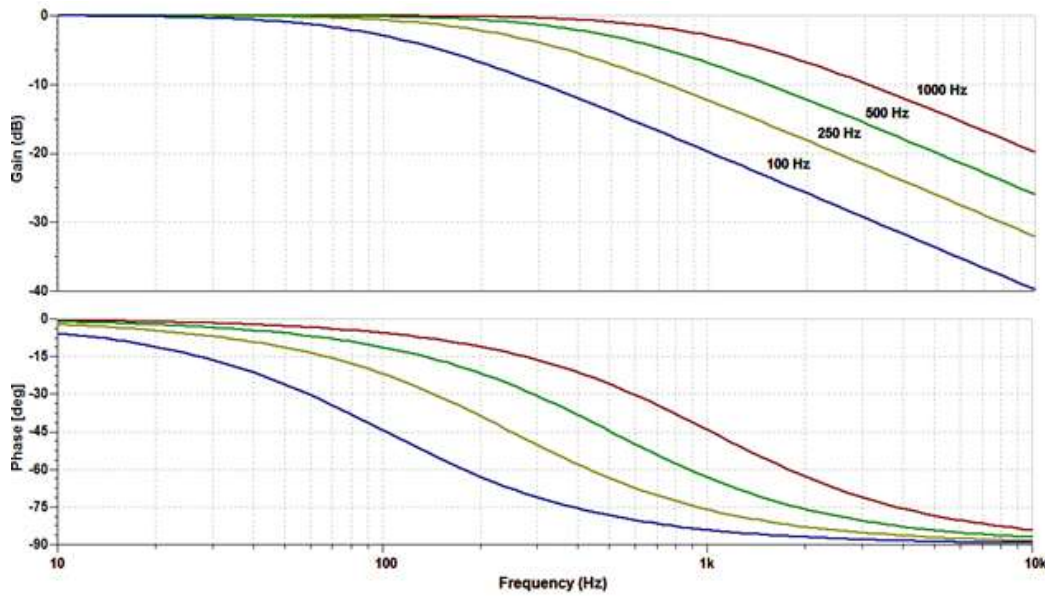
## SPECIFICATIONS - ALL MODELS

<b>OUTPUT/ CHANNEL</b>	Output Range	4..20mA	
	Supply voltage	12...30 V	
	Measuring Range	$\pm 2$ or $\pm 6$ g	
	Sensibility	3.20 mA/g ( $\pm 2$ g range) or 1.07mA/g ( $\pm 6$ g range)	
	Lower frequency limit	0 Hz (DC)	
	Upper 3dB frequency limit	100, 250, 500 or 1000 Hz (1 <sup>st</sup> and 2 <sup>nd</sup> order)	
	Non-linearity	$\pm 0.5$ % F.S.	
	Residual noise	< 50 $\mu$ g/ $\sqrt{\text{Hz}}$	
	Transverse sensitivity	< 5 %	
	Destruction limit	$\pm 5000$ g	
<b>ENVIRONMENTAL CHARACTERISTICS</b>		<i>Operating</i>	<i>Non-Operating</i>
	Operating temperature range	- 20...85 °C (-4..185°F)	- 40...85 °C (-40..167°F)
	Temperature coefficient of sensitivity	$\pm 0.01$ %/°C	
	Temperature drift of zero point	$\pm 0.5$ mg/°C	
	Protection grade	IP67	
<b>MECHANICAL DATA</b>	Weight Without Cable	40gr	
	Case Material	Aluminum (MIL-A-8625 Type I coating)	
	Mounting	3.2 mm diameter holes (4x)	

# POSSIBLE FILTER AMPLITUDE RESPONSES

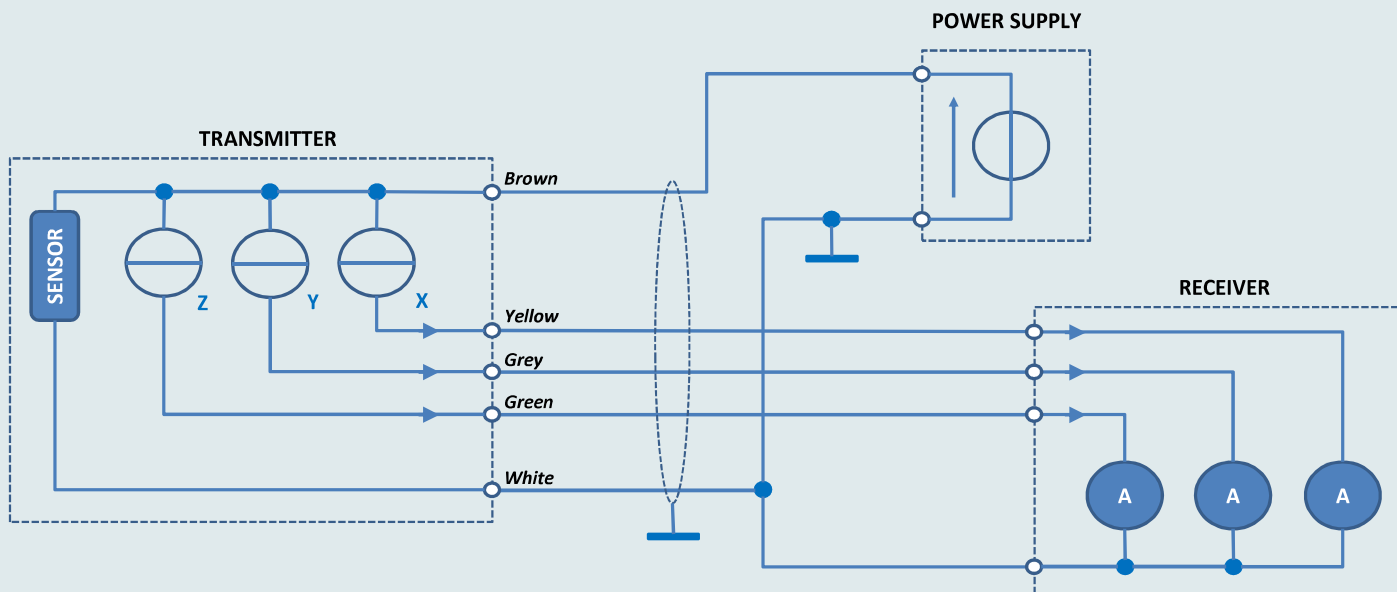


2<sup>nd</sup> order filter



1<sup>st</sup> order filter

# ELECTRICAL CONNECTIONS



# ORDERING INFORMATION

