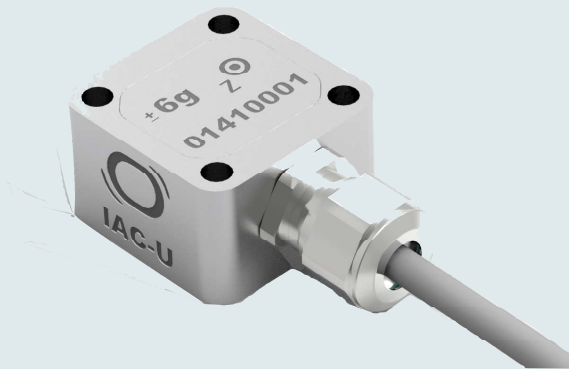


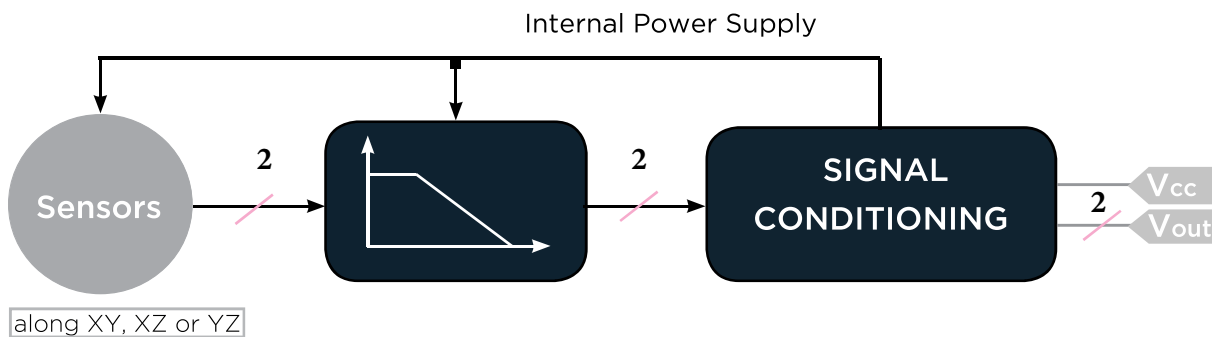
INDUSTRIAL ACCELEROMETER (0...3V)

PROPERTIES

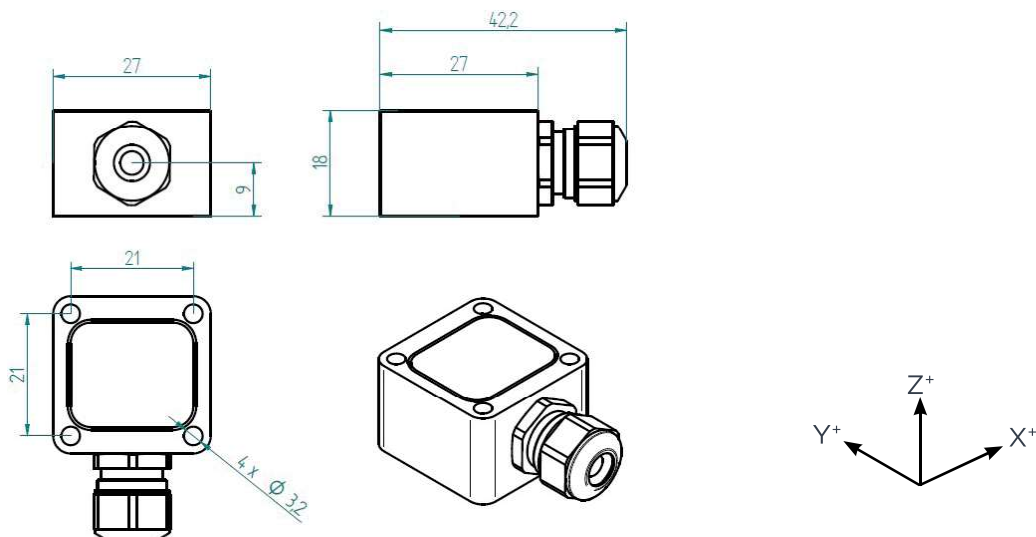
- 2 axes
- Suited for direct connection to standard control and measurement equipment, e.g. PLCs or panel meters
- Embedded 0..3V signal conditioning
- Galvanically Isolated
- Protected against false polarization
- Compact and rugged design
- Protection grade IP67



BLOCK DIAGRAM



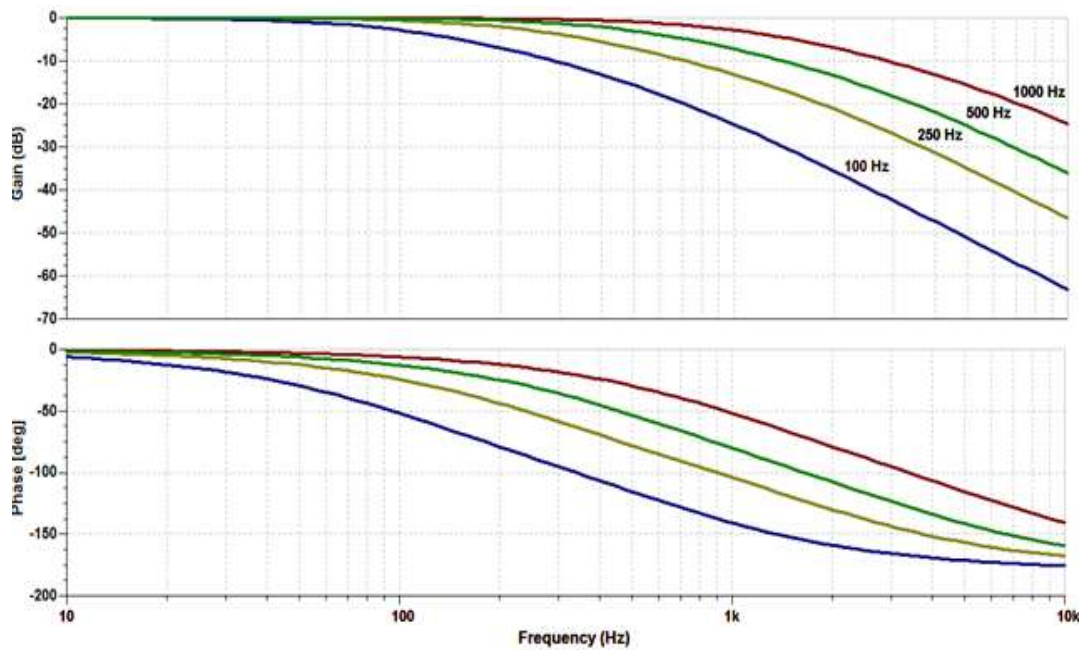
DIMENSIONS



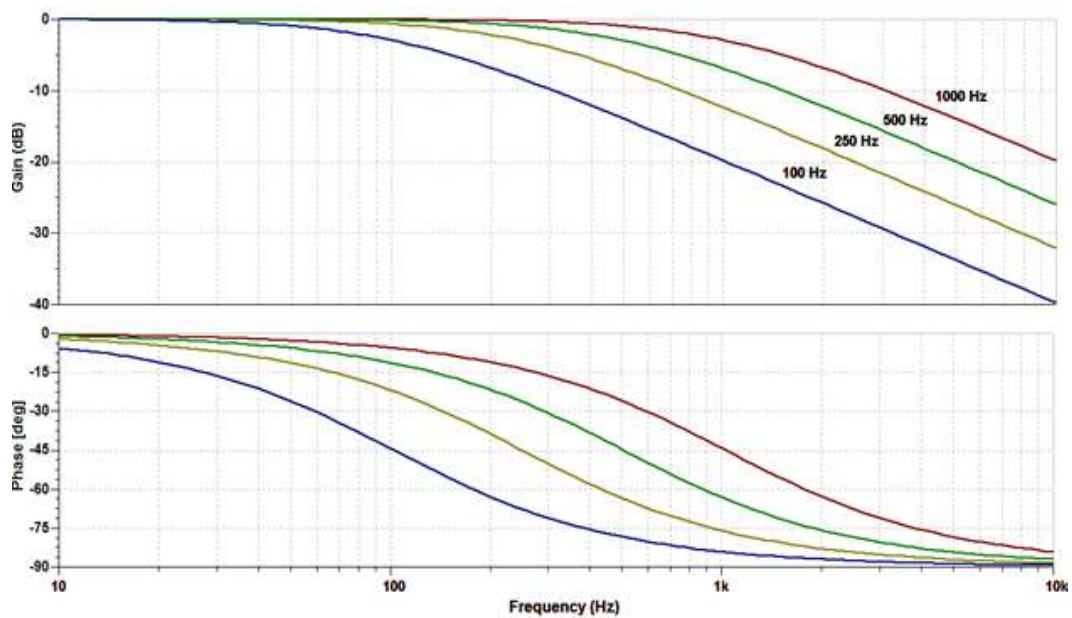
SPECIFICATIONS - ALL MODELS

| | | | |
|--------------------------------------|--|--|---------------------------|
| OUTPUT/CHANNEL | Output Range | 0..3.0 V | |
| | Supply voltage | 12...30 V | |
| | Measuring Range | ± 2 or ± 6g | |
| | Sensibility | 0.6 V/g (± 2g range) or 0.2V/g (± 6g range) | |
| | Lower frequency limit | 0 Hz (DC) | |
| | Max. Upper 3dB frequency limit | 100, 250, 500 or 1000Hz (1 st or 2 nd order) | |
| | Non-linearity | ± 0.5 % F.S. | |
| | Residual noise | <50 µg/√Hz | |
| | Transverse sensitivity | < 5 % | |
| | Destruction limit | ± 5000 g | |
| ENVIRONMENTAL CHARACTERISTICS | | <i>Operating</i> | <i>Non-Operating</i> |
| | Operating temperature range | - 20...85 °C ⁽¹⁾ | - 40...85 °C (-40..167°F) |
| | Temperature coefficient of sensitivity | ± 0.01 %/°C | |
| | Temperature drift of zero point | ± 0.5 mg/°C | |
| | Protection grade | IP67 | |
| MECHANICAL DATA | Weight Without Cable | 40gr | |
| | Case Material | Aluminum (MIL-A-8625 Type I coating) | |
| | Mounting | 3.2 mm diameter holes (4x) | |

POSSIBLE FILTER AMPLITUDE RESPONSES

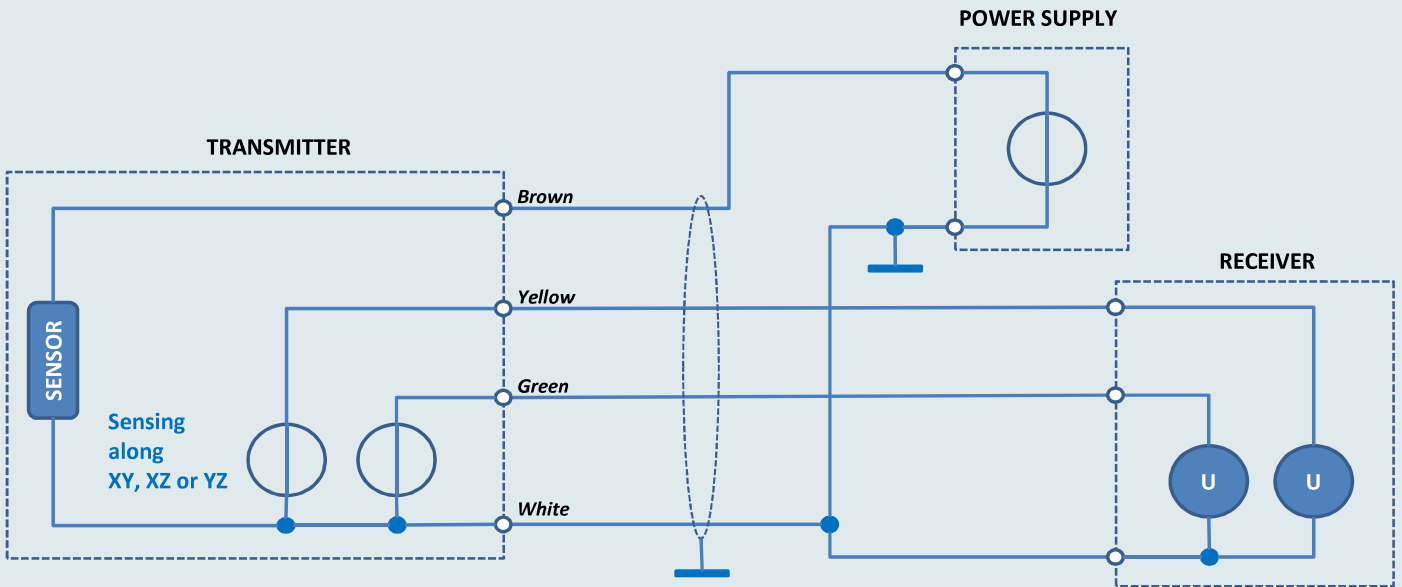


2nd order filters



1st order filters

ELECTRICAL CONNECTIONS



| Signal (XY sensing) | Signal (XZ sensing) | Signal (YZ sensing) | 4 x 0.25 ² |
|---------------------|---------------------|---------------------|-----------------------|
| Supply ⁺ | Supply ⁺ | Supply ⁺ | Brown |
| Supply ⁻ | Supply ⁻ | Supply ⁻ | White |
| x-axis | x-axis | y-axis | Yellow |
| y-axis | z-axis | z-axis | Green |

ORDERING INFORMATION

