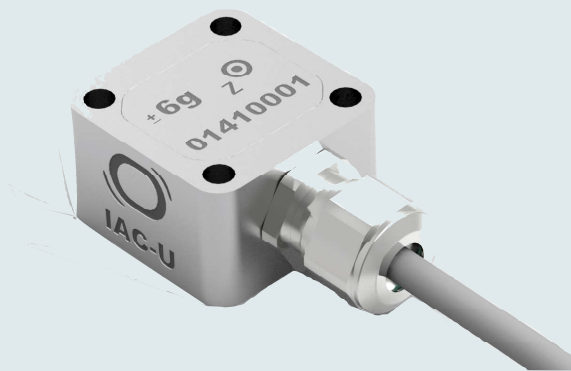


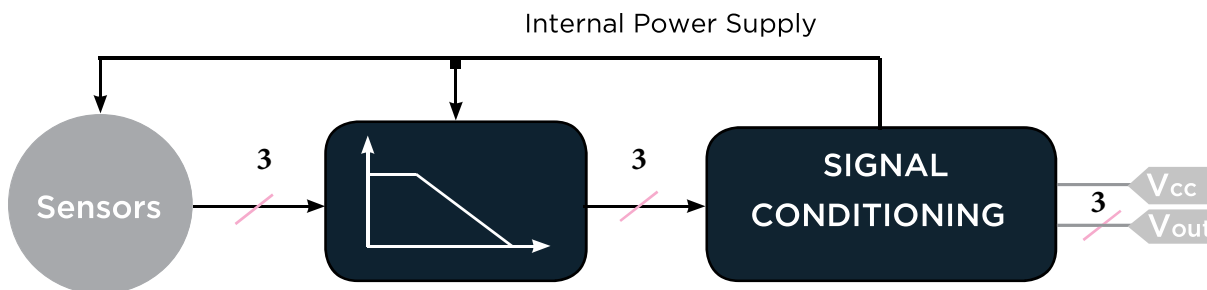
INDUSTRIAL ACCELEROMETER (0...3V)



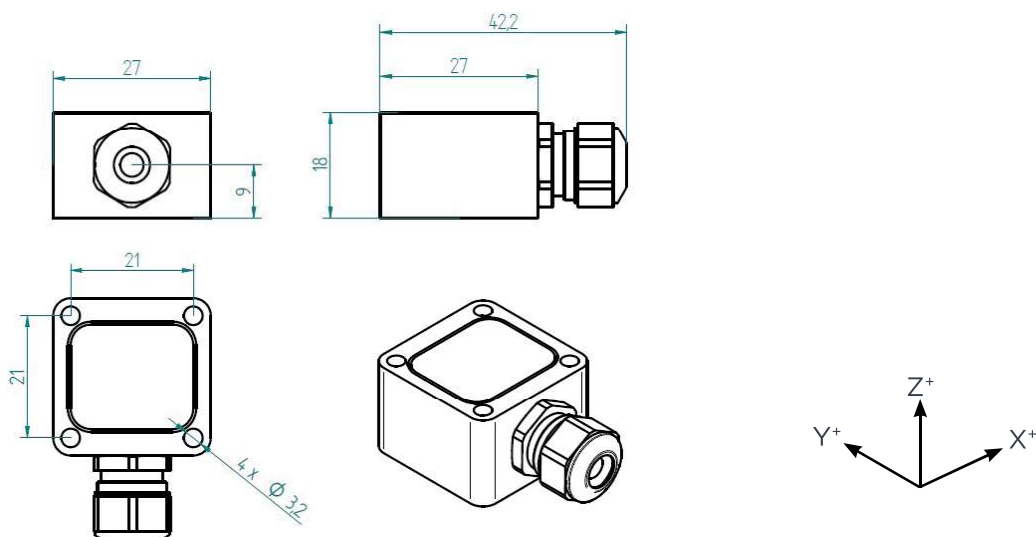
PROPERTIES

- 3 axes
- Suited for direct connection to standard control and measurement equipment, e.g. PLCs or panel meters
- Embedded 0..3V signal conditioning
- Galvanically Isolated
- Protected against false polarization
- Compact and rugged design
- Protection grade IP67

BLOCK DIAGRAM



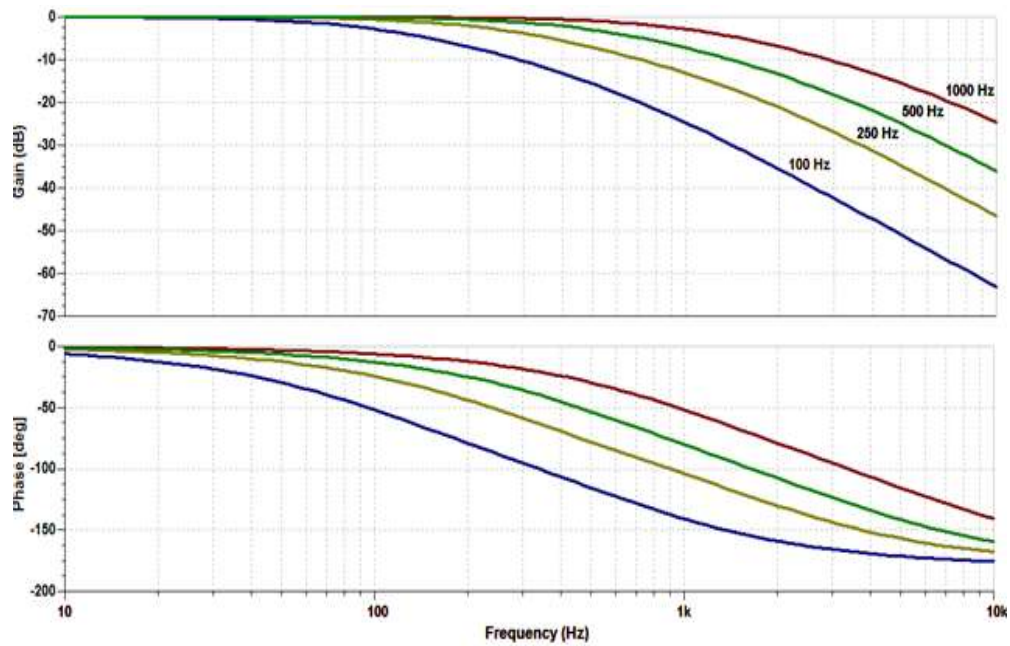
DIMENSIONS



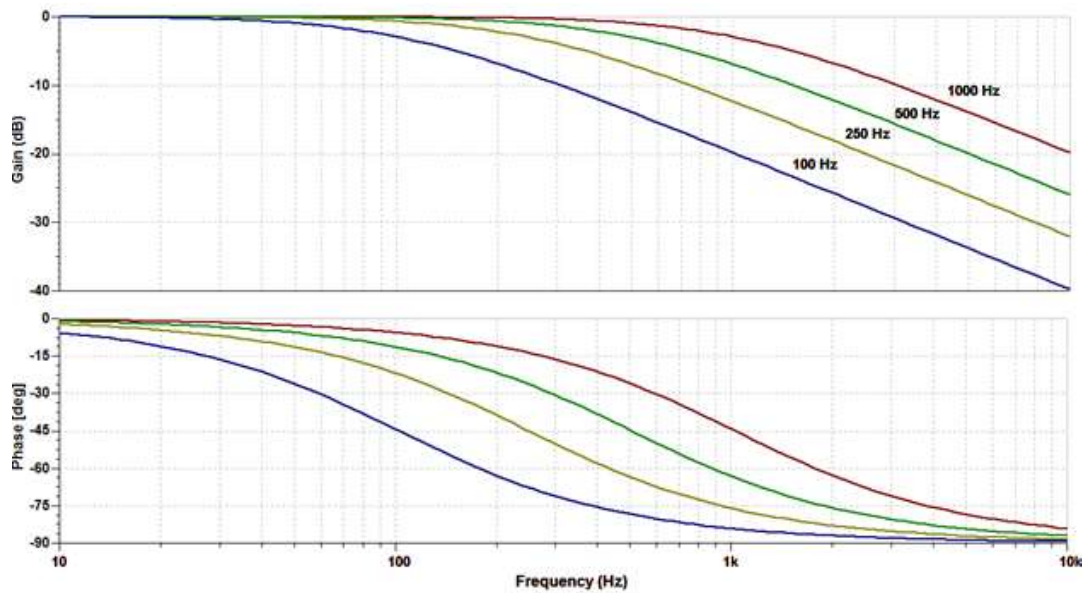
SPECIFICATIONS - ALL MODELS

OUTPUT/CHANNEL	Output Range	0..3.0 V	
	Supply voltage	12...30 V	
	Measuring Range	± 2 or $\pm 6g$	
	Sensibility	0.6 V/g ($\pm 2g$ range) or 0.2V/g ($\pm 6g$ range)	
	Lower frequency limit	0 Hz (DC)	
	Max. Upper 3dB frequency limit	100, 250, 500 or 1000Hz (1 st or 2 nd order)	
	Non-linearity	± 0.5 % F.S.	
	Residual noise	$< 50 \mu g/\sqrt{Hz}$	
	Transverse sensitivity	< 5 %	
Destruction limit	± 5000 g		
ENVIRONMENTAL CHARACTERISTICS		<i>Operating</i>	<i>Non-Operating</i>
	Operating temperature range	- 20...85 °C ⁽¹⁾	- 40 ... 85 °C (-40..167°F)
	Temperature coefficient of sensitivity	± 0.01 %/°C	
	Temperature drift of zero point	± 0.5 mg/°C	
	Protection grade	IP67	
MECHANICAL DATA	Weight Without Cable	40gr	
	Case Material	Aluminum (MIL-A-8625 Type I coating)	
	Mounting	3.2 mm diameter holes (4x)	

POSSIBLE FILTER AMPLITUDE RESPONSES

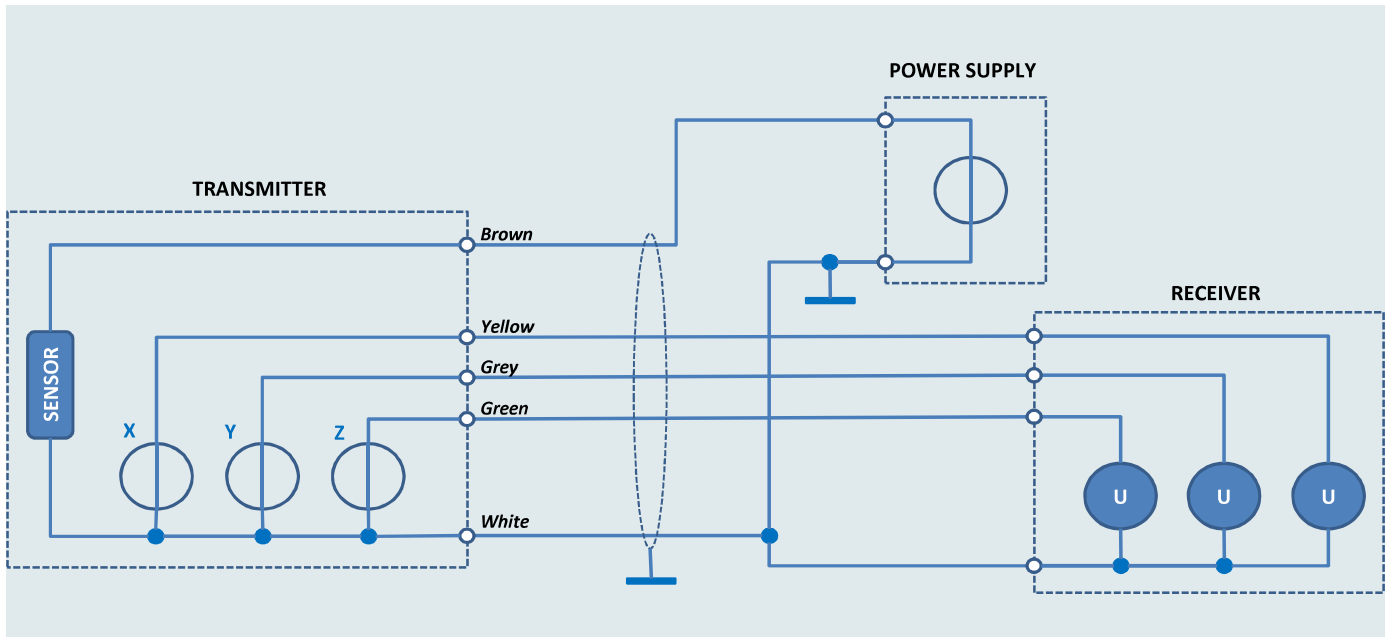


2nd order filters



1st order filters

ELECTRICAL CONNECTIONS



ORDERING INFORMATION

IAC - **U** - **03** - **X g** - **XXXX Hz** - **X** - **XX.X m**

RANGE	
2	± 2g
6	± 6g

Low Pass Filter Frequency	
0100	100Hz
0250	250Hz
0500	500Hz
1000	1000Hz

Low Pass Filter Order	
1	1st order
2	2nd order

Cable Length