

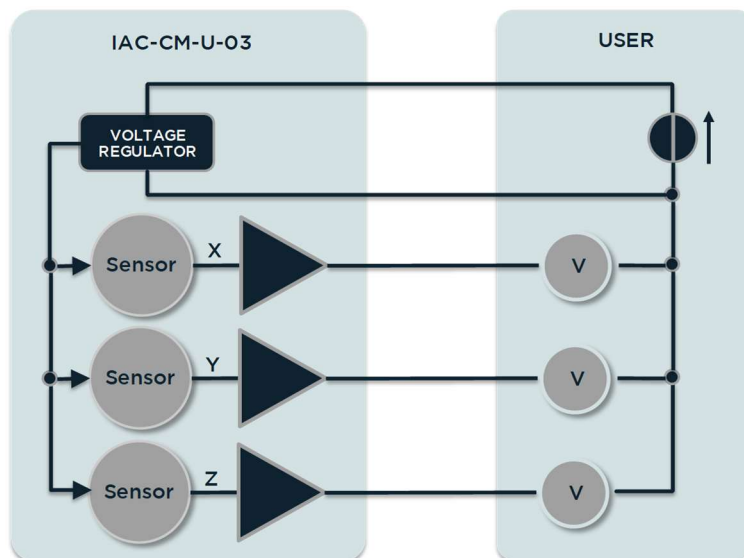
### INDUSTRIAL ACCELEROMETER FOR CONDITION MONITORING



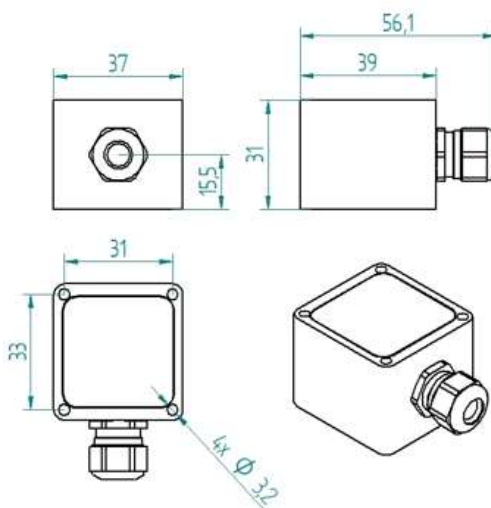
#### PROPERTIES

- 3-axis
- Wide bandwidth (0 - 10 kHz)
- Embedded 0 - 5 V signal conditioning
- Self-powered current loop
- Galvanically isolated
- Protected against false polarization
- Compact and rugged design
- IP67 ingress protection grade

#### BLOCK DIAGRAM

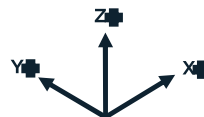


#### DIMENSIONS



#### NOTE

When mounted with sensing axis vertical all units will indicate 1g offset due to gravity



## SPECIFICATIONS - ALL MODELS

|  |                              |  |                                     |
|--|------------------------------|--|-------------------------------------|
| <b>OUTPUT/<br/>CHANNEL</b>               | Output Range                 | 0-5V                                   |                                     |
|  | Supply Voltage               | 12-30V                                 |                                     |
|  | Bandwidth (-3dB)             | 0-10kHz                                |                                     |
|  | Non-linearity                | 0.5% F.S. typ. - 1.5% F.S. max.        |                                     |
|  | Sensitivity Error            | 2%                                     |                                     |
|  | Transverse Sensitivity       | 2% typ. - 5% max.                      |                                     |
|  | Offset dispersion            | ±1g typ. - ±2g max.                    |                                     |
|  | Destruction limit            | 1000g                                  |                                     |
| <b>ENVIRONMENTAL<br/>CHARACTERISTICS</b> | Temperature Range            | Operating<br>From -40 to 80 °C         | Non-Operating<br>From -55 to 125 °C |
|  | Sensitivity drift            | ±500 ppm/°C                            |                                     |
|  | Offset drift                 | ±50 mg/°C                              |                                     |
|  | Ingress protection grade     | IP67                                   |                                     |
| <b>MECHANICAL<br/>DATA</b>               | Weight Without Cable         | 50gram / 95gram <sup>(1)</sup>         |                                     |
|  | Case Material <sup>(1)</sup> | Aluminium (MIL-A-8625 Type II coating) |                                     |
|  | Mounting                     | 3.2mm diameter holes (4x)              |                                     |

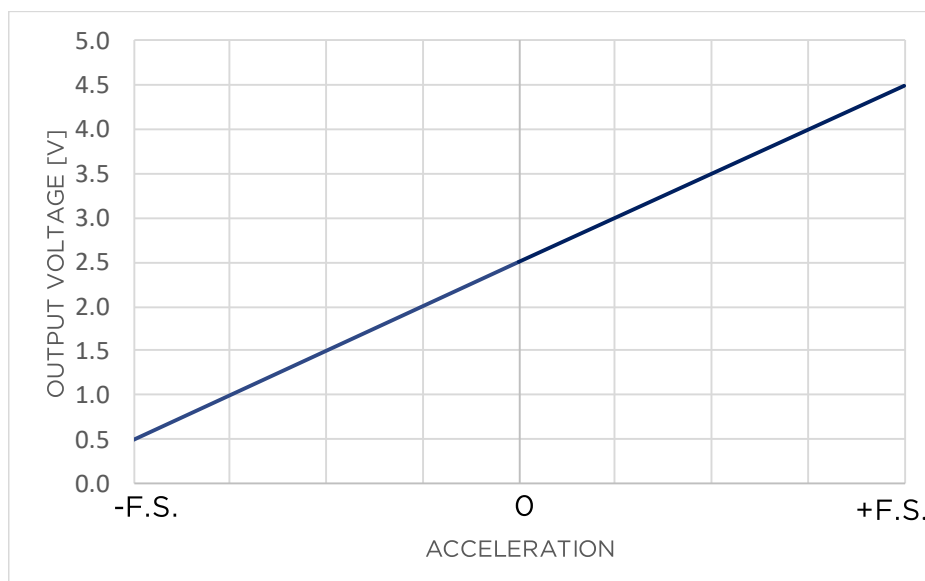
<sup>(1)</sup> Stainless Steel Casing and Cable Gland A4 / AISI316 Grade Upon Request (e.g. for offshore/marine environment)

## PERFORMANCES - BY MODEL

| <b>Range<br/>(g)</b> | <b>Typ. Sensitivity <sup>(1)</sup><br/>(mV/g)</b> | <b>Noise<br/>(µg/√Hz)</b> |
|----------------------|---|---------------------------|
| ±25                  | 80  | 40                        |
| ±50                  | 40  | 40                        |
| ±100                 | 20  | 50                        |

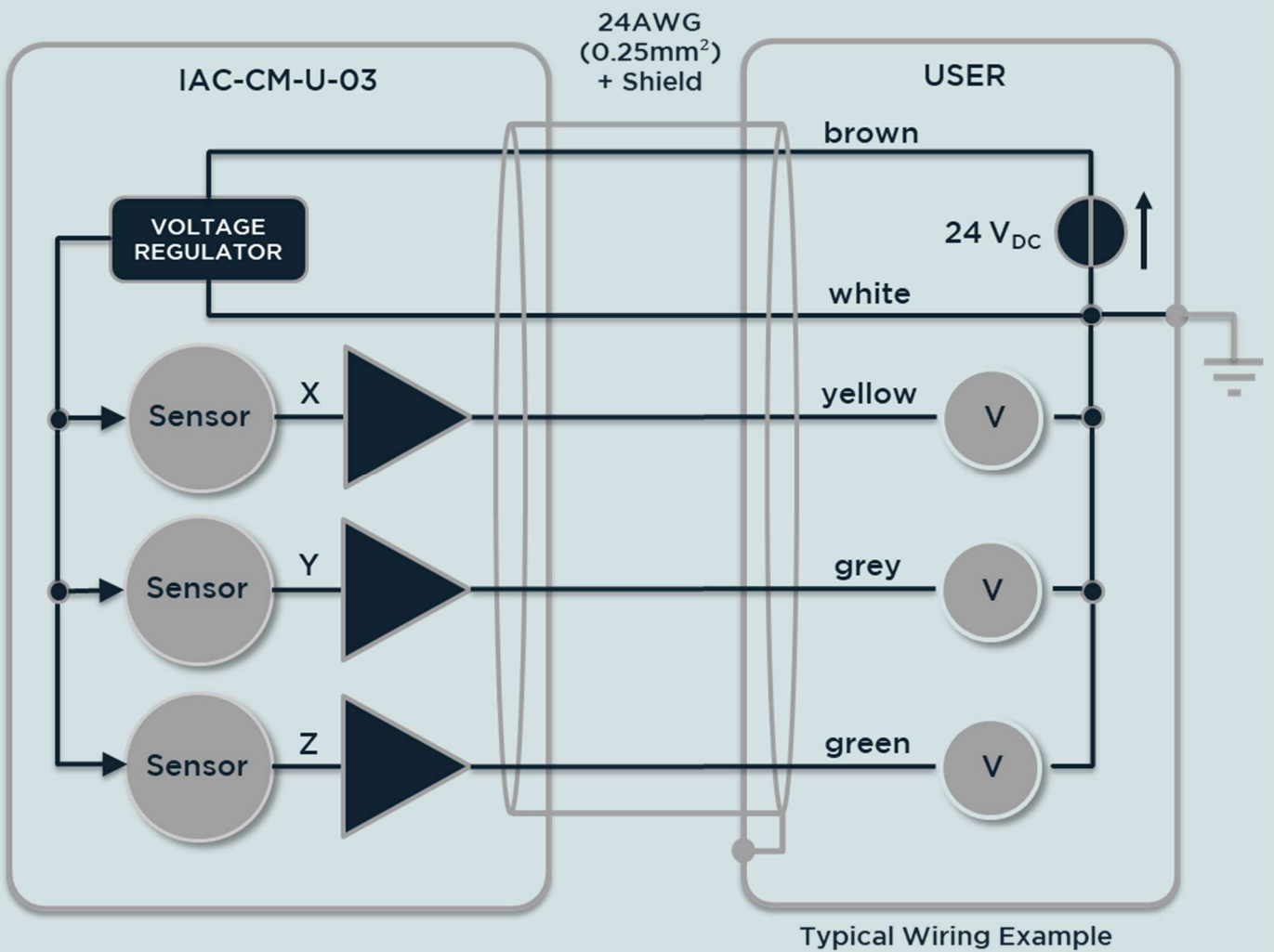
<sup>(1)</sup> Calibration data supplied with sensor

## ELECTRICAL RESPONSE



# ELECTRICAL CONNECTIONS

| Signal  | 5 x 0.25 <sup>2</sup> |
|---------|-----------------------|
| Supply+ | Brown                 |
| X-axis  | Yellow                |
| Y-axis  | Grey                  |
| Z-axis  | Green                 |
| Supply- | White                 |



## ORDERING INFORMATION

