

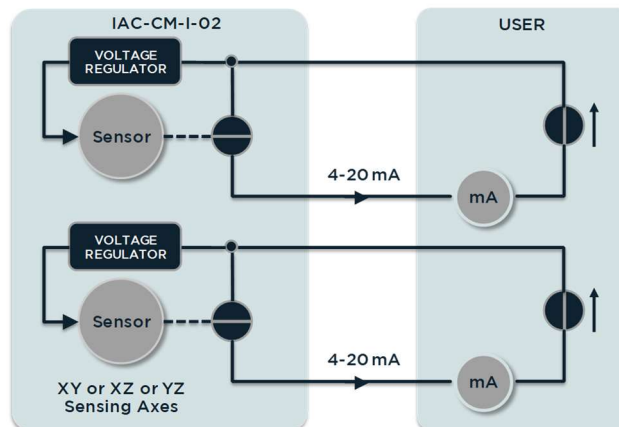
INDUSTRIAL ACCELEROMETER FOR CONDITION MONITORING



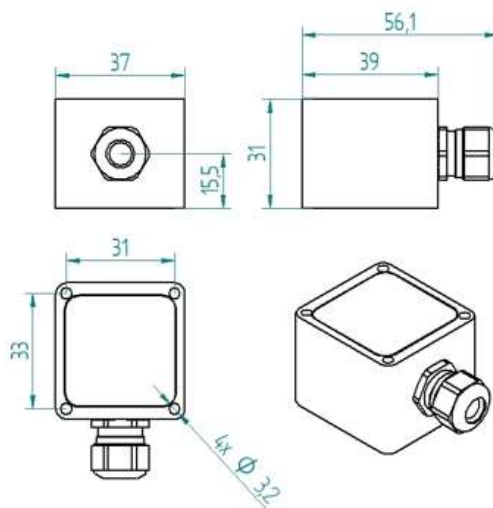
PROPERTIES

- 2-axis
- Wide bandwidth (0 - 10kHz)
- Embedded 4 - 20mA signal conditioning
- Self-powered current loop
- Galvanically isolated
- Protected against false polarization
- Compact and rugged design
- IP67 ingress protection grade

BLOCK DIAGRAM

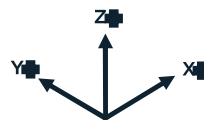


DIMENSIONS



NOTE

When mounted with sensing axis vertical all units will indicate 1g offset due to gravity



SPECIFICATIONS - ALL MODELS

OUTPUT/ CHANNEL	Output Range	4-20mA	
	Supply Voltage	12-30V	
	Bandwidth (-3dB)	0-10kHz	
	Non-linearity	0.5% F.S. typ. - 1.5% F.S. max.	
	Sensitivity Error	2%	
	Transverse Sensitivity	2% typ. - 5% max.	
	Offset dispersion	±1g typ. - ±2g max.	
	Destruction limit	1000g	
ENVIRONMENTAL CHARACTERISTICS	Temperature Range	Operating From -40 to 80 °C	Non-Operating From -55 to 125 °C
	Sensitivity drift	±500 ppm/°C	
	Offset drift	±50 mg/°C	
	Ingress protection grade	IP67	
MECHANICAL DATA	Weight Without Cable	50gram / 95gram ⁽¹⁾	
	Case Material ⁽¹⁾	Aluminium (MIL-A-8625 Type II coating)	
	Mounting	3.2 mm diameter holes (4x)	

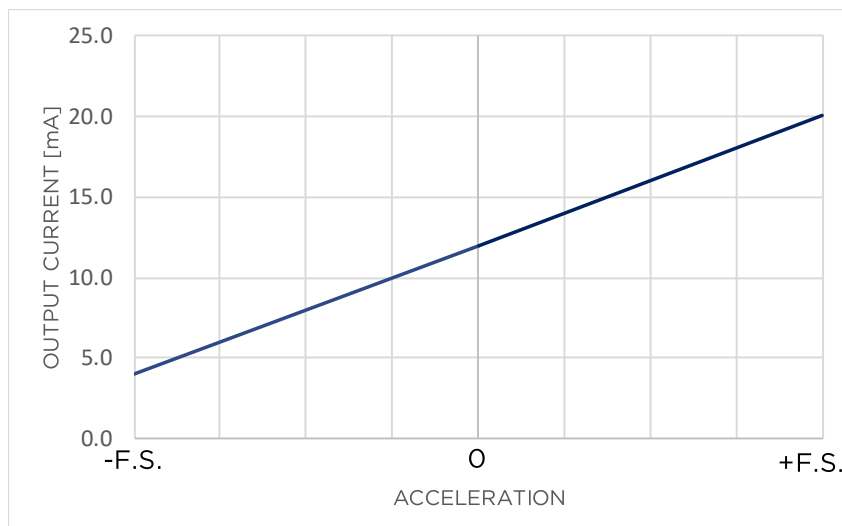
⁽¹⁾ Stainless Steel Casing and Cable Gland A4 / AISI316 Grade Upon Request (e.g. for offshore/marine environment)

PERFORMANCES - BY MODEL

Range (g)	Typ. Sensitivity ⁽¹⁾ (mA/g)	Noise (µg/√Hz)
±25	0.257	40
±50	0.128	40
±100	0.064	45
±200	0.032	70

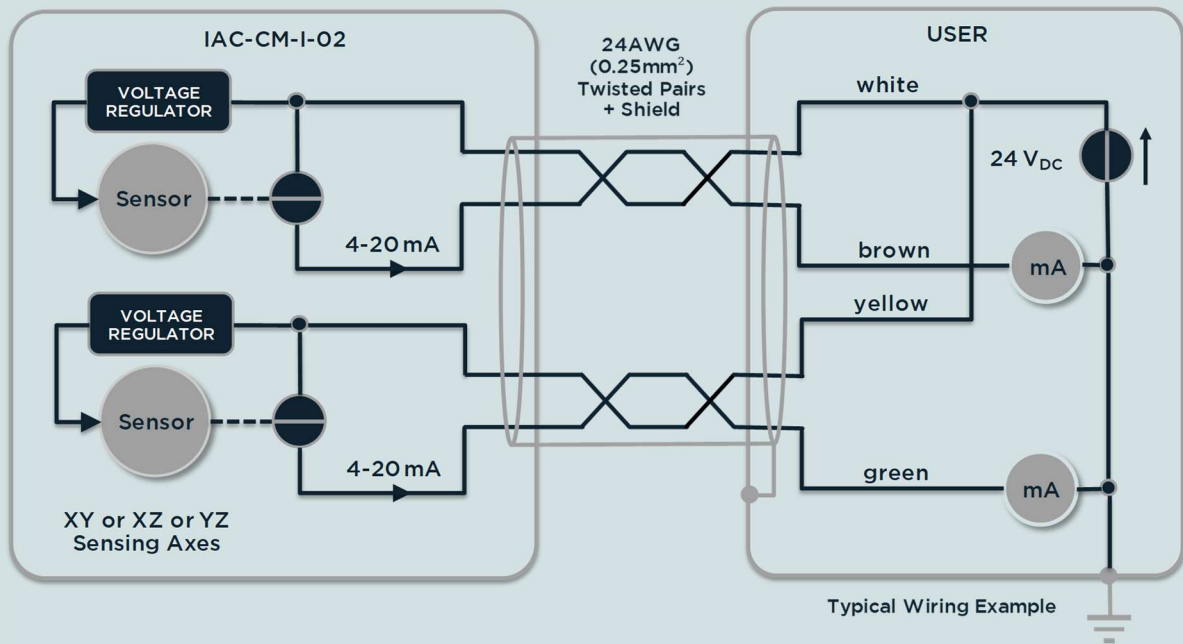
⁽¹⁾ Calibration data supplied with sensor

ELECTRICAL RESPONSE



ELECTRICAL CONNECTIONS

Signal (XY sensing)	Signal (XZ sensing)	Signal (YZ sensing)	2 x 2 x 0.25 ²
X supply+	X-supply+	Y-supply+	White
X-out	X-out	Y-out	Brown
Y-supply+	Z-supply+	Z-supply+	Yellow
Y-out	Z-out	Z-out	Green



ORDERING INFORMATION

IAC	-	CM	-	I	-	02	-	A	-	X	g	-	XX.X	m
									Sensing Axis	RANGE		Cable Length		
									XY	25	± 25g			
									XZ	50	± 50g			
									YZ	100	± 100g			
										200	± 200g			