

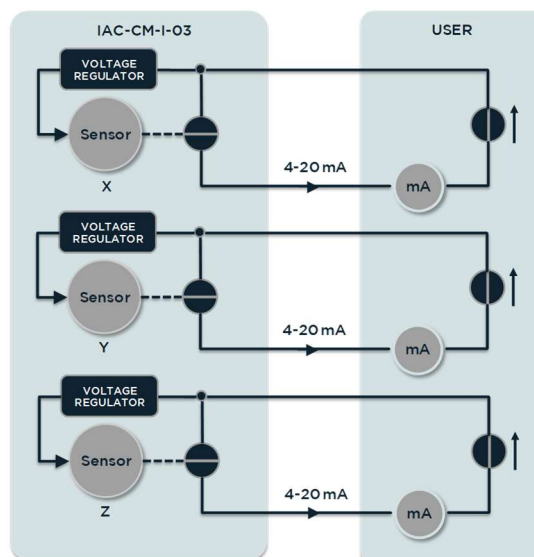
### INDUSTRIAL ACCELEROMETER FOR CONDITION MONITORING



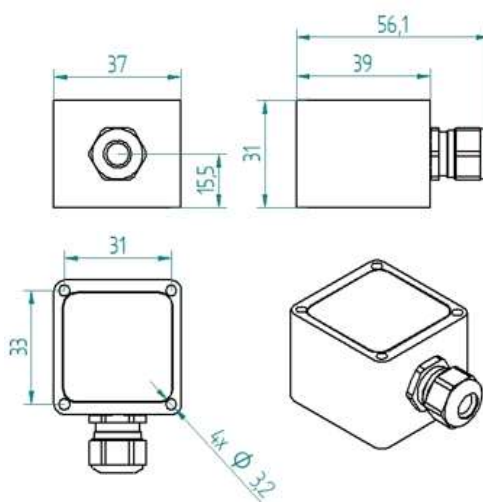
#### PROPERTIES

- 3-axis
- Wide bandwidth (0 - 10kHz)
- Embedded 4 - 20mA signal conditioning
- Self-powered current loop
- Galvanically isolated
- Protected against false polarization
- Compact and rugged design
- IP67 ingress protection grade

#### BLOCK DIAGRAM

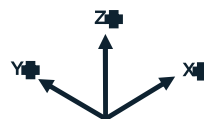


#### DIMENSIONS



#### NOTE

When mounted with sensing axis vertical all units will indicate 1g offset due to gravity



## SPECIFICATIONS - ALL MODELS

<b>OUTPUT/ CHANNEL</b>	Output Range	4-20mA	
	Supply Voltage	12-30V	
	Bandwidth (-3dB)	0-10kHz	
	Non-linearity	0.5% F.S. typ. - 1.5% F.S. max.	
	Sensitivity Error	2%	
	Transverse Sensitivity	2% typ. - 5% max.	
	Offset dispersion	±1g typ. - ±2g max.	
	Destruction limit	1000g	
<b>ENVIRONMENTAL CHARACTERISTICS</b>	Temperature Range	Operating From -40 to 80 °C	Non-Operating From -55 to 125 °C
	Sensitivity drift	±500 ppm/°C	
	Offset drift	±50 mg/°C	
	Ingress protection grade	IP67	
<b>MECHANICAL DATA</b>	Weight Without Cable	50gram / 95gram <sup>(1)</sup>	
	Case Material <sup>(1)</sup>	Aluminium (MIL-A-8625 Type II coating)	
	Mounting	3.2mm diameter holes (4x)	

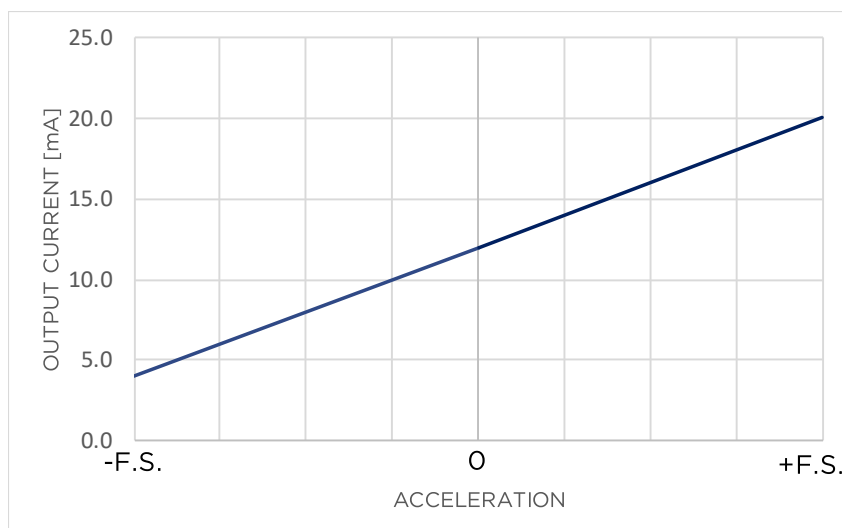
<sup>(1)</sup> Stainless Steel Casing and Cable Gland A4/ AISI316 Grade Upon Request (e.g. for offshore/marine environment)

## PERFORMANCES - BY MODEL

<b>Range (g)</b>	<b>Typ. Sensitivity <sup>(1)</sup> (mA/g)</b>	<b>Noise (µg/√Hz)</b>
±25	0.257	40
±50	0.128	40
±100	0.064	45
±200	0.032	70

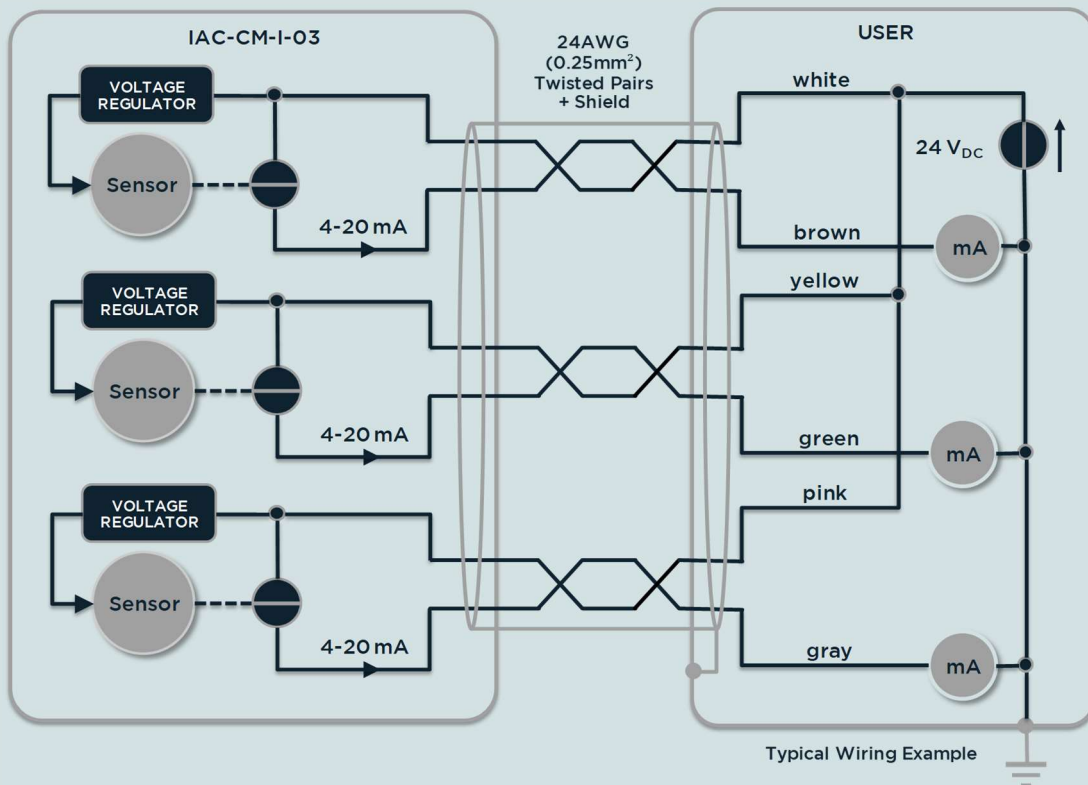
<sup>(1)</sup> Calibration data supplied with sensor

## ELECTRICAL RESPONSE



# ELECTRICAL CONNECTIONS

Signal	3 x 2 x 0.25 <sup>2</sup>
X supply+	White
X-out	Brown
Y-supply+	Yellow
Y-out	Green
Z-supply+	Pink
Z-out	Grey



# ORDERING INFORMATION

IAC - CM - I - 03 - X g - XX.X m

RANGE	
25	± 25g
50	± 50g
100	± 100g
200	± 200g

Cable Length