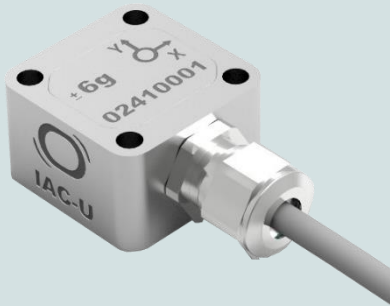


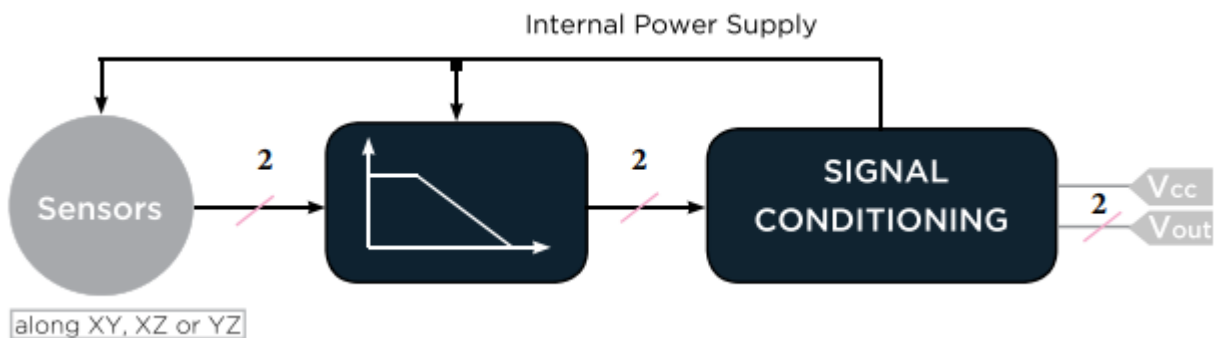
## ROBUST ACCELEROMETER



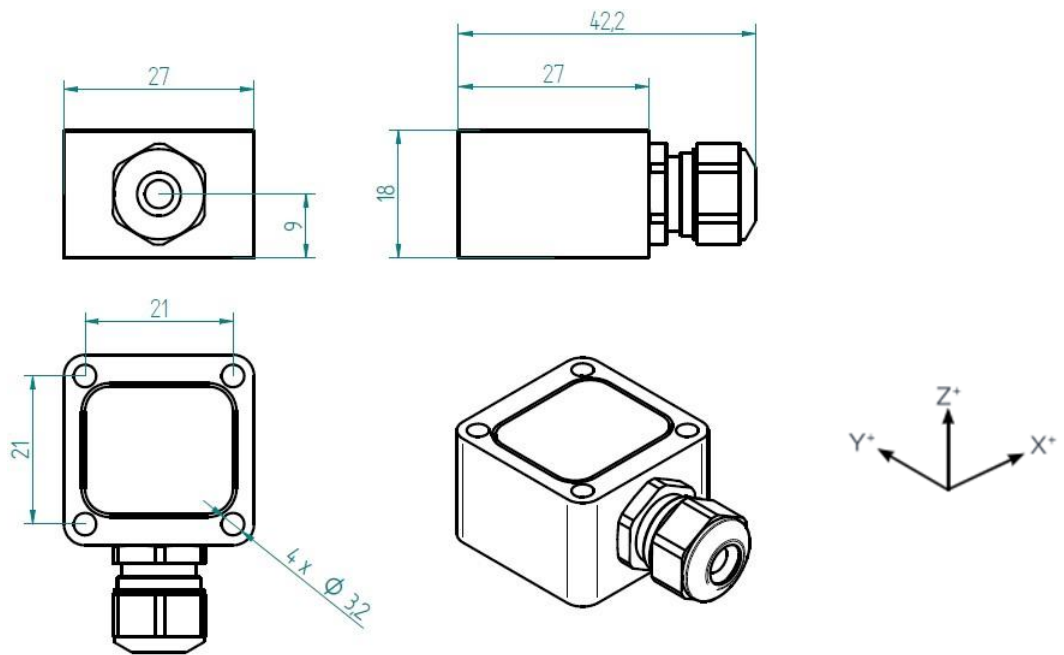
### PROPERTIES

- 2 axes
- Suited for direct connection to standard control and measurement equipment, e.g., PLCs or panel meters.
- Embedded 0..3V signal conditioning
- Galvanically Isolated
- Protected against false polarization
- Compact and rugged design
- Protection grade IP67

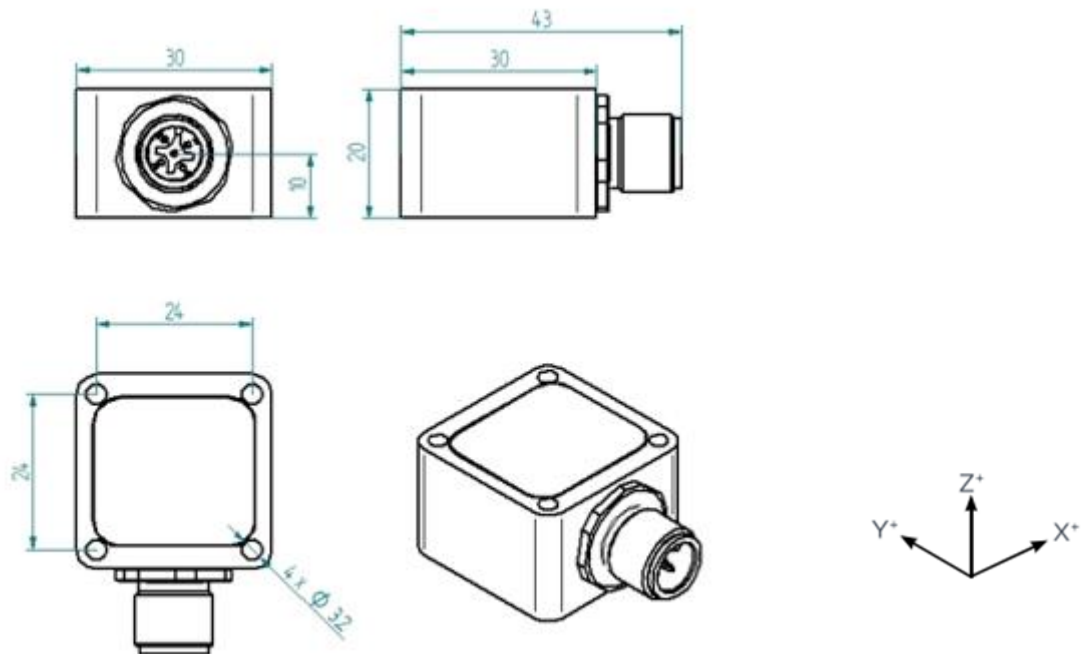
### BLOCK DIAGRAM



## DIMENSIONS - Cable Gland Model



## DIMENSIONS - M12 Connector Model



## MOUNTING ACCESSORIES

See "IAC - Accelerometer Accessories data sheet"

## SPECIFICATIONS - ALL MODELS

<b>OUTPUT/CHANNEL</b>	Output Range	0-3.0 V
	Supply Voltage	12-30 V
	Measuring Range	± 2g or ± 6 g
	Sensitivity	0.6 V/g (± 2g range) or 0.2 V/g (± 6g range)
	Lower frequency limit	0 Hz (DC)
	Upper -3 dB frequency limit	100, 250, 500 or 1000 Hz (1st of 2nd order)
	Non-linearity	± 0.5 % F.S.
	Residual noise	< 50 µg/√Hz
	Transverse sensitivity	< 5 %
	Destruction limit	± 5000g
<b>ENVIRONMENTAL CHARACTERISTICS</b>	Temperature range	Operating: -20..85°C / -4..185°F      Non-Operating: <-40 ; >85°C / <-40; >185°F
	Temperature coefficient of sensitivity	± 0.01 %/°C
	Temperature drift of zero point	± 0.5 mg/°C
	Protection grade	IP67
<b>MECHANICAL DATA</b>	Weight Without Cable (g)	<sup>(1)</sup> CG/78, CO/121 - <sup>(2)</sup> CG/44, CO/81
	Case Material	Stainless Steel or Aluminium
	Mounting	3.2 mm diameter holes (4x)

<sup>(1)</sup> Stainless Steel Casing and Cable Gland A4/AISI316 Grade (e.g. for offshore/marine environment)

<sup>(2)</sup> Aluminium (MIL-A-8625 Type II coating)

## ELECTRICAL CONNECTIONS - Cable Gland Model

Signal XY sensing	Signal XZ sensing	Signal YZ sensing	4 x 0,25 <sup>2</sup>
Sensor supply + input	Sensor supply + input	Sensor supply + input	Brown
Sensor supply - input	Sensor supply - input	Sensor supply - input	White
X Axis Out	X Axis Out	Y Axis Out	Yellow
Y Axis Out	Z Axis Out	Z Axis Out	Green

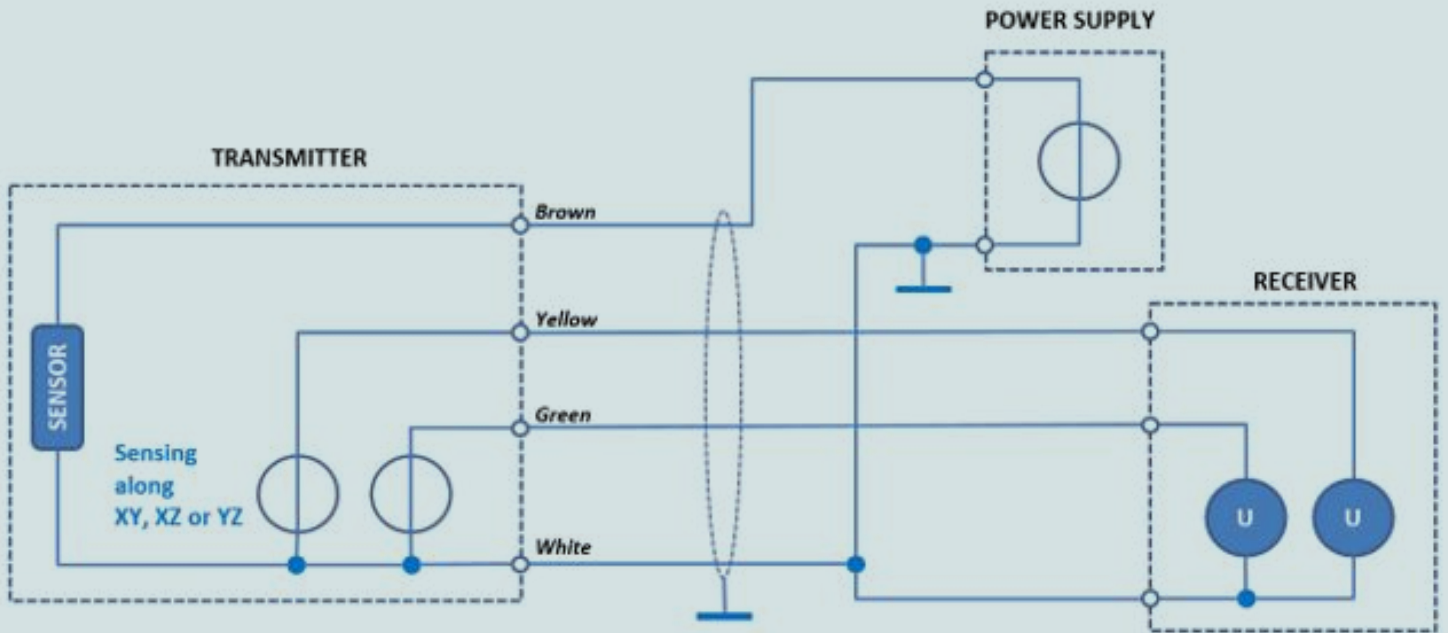
## ELECTRICAL CONNECTIONS - M12 Connector Model

<b>U 02</b>		1	OUT 1	Voltage unipolar output
		2	OUT 2	Voltage unipolar output
		3	NC	-
		4	+24VDC	Sensor supply + input
		5	0VDC	Sensor supply - input

Selected Axes:

X	OUT 1	X	OUT 1	Y	OUT 1
Y	OUT 2	Z	OUT 2	Z	OUT 2

# ELECTRICAL CONNECTIONS



# ORDERING INFORMATION

IAC - U - 02 - AA - XX - XX - Xg - XXXXHz - X - XX.X m

Sensing Axis	Cable Connection		Casing		Range	Low Pass Filter Frequencies		Low Pass Filter Orders	Cable Length	
XY	CG	Cable Gland	AL	Aluminium	± 2g	0100	100Hz	1	1st order	Value in meter
XZ	CO	M12	SS	Stainless Steel	± 6g	0250	250Hz	2	2nd order	
YZ						0500	500Hz			
						1000	1000Hz			