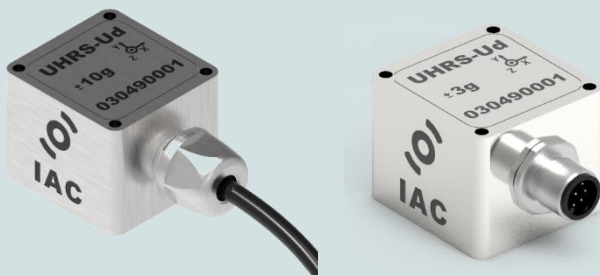


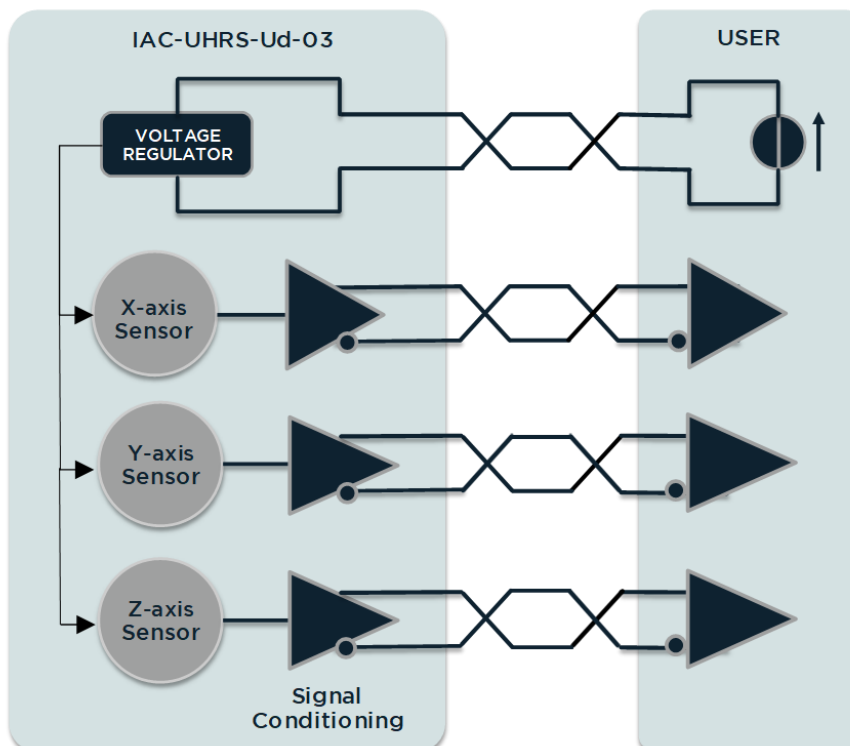
### SEISMIC ACCELEROMETER



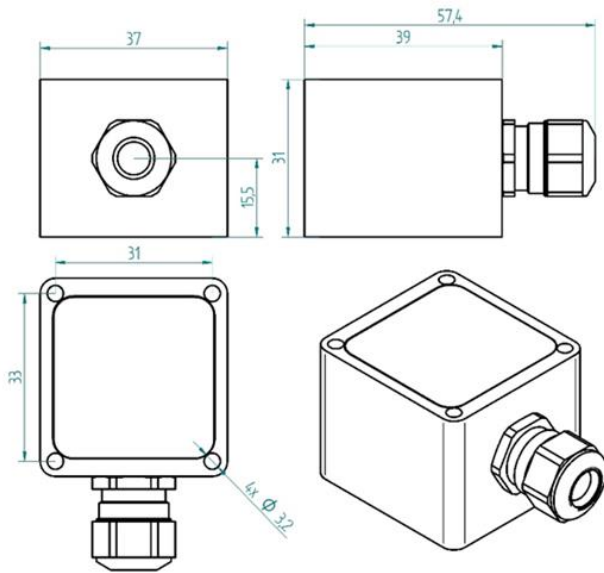
#### PROPERTIES

- 3-axes
- Background noise as low as  $1\mu\text{g}/\sqrt{\text{Hz}}$
- Amplified  $\pm 2.7\text{V}$  differential output
- Embedded signal conditioning
- Compact and rugged design
- IP67 ingress protection grade

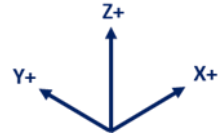
#### BLOCK DIAGRAM



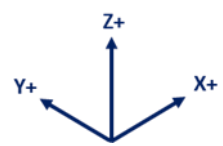
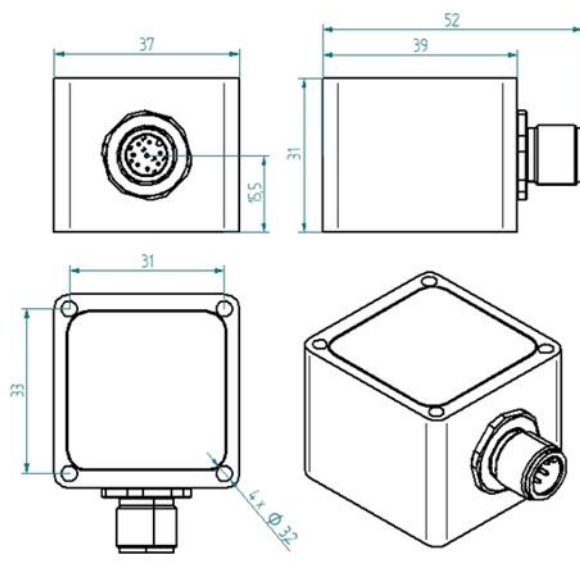
## DIMENSIONS - Cable Gland Model



**NOTE**  
When mounted with sensing axis vertical all units will indicate 1g offset due to gravity.



## DIMENSIONS - M12 Connector Model



## MOUNTING ACCESSORIES

See "IAC - Accelerometer Accessories data sheet"

## SPECIFICATIONS - ALL MODELS

<b>OUTPUT/CHANNEL</b>	Output Range	± 2.7V
	Supply Voltage	10-30 VDC
	Lower frequency limit	0 Hz (DC)
	Non-linearity	± 0.5 % typ. - 1.5% max.
	Sensitivity Error	2%
	Transverse Sensitivity	2 % typ. - 3 % max.
	Offset	± 20 mg
	Destruction limit	1000g
<b>ENVIRONMENTAL CHARACTERISTICS</b>	Temperature Range	Operating -20..85°C / -4..185°F      Non-Operating <-40 ; >85°C / <-40; >185°F
	Drift of sensitivity	150 ppm/°C
	Drift of zero point	± 0.5 mg/°C
	Ingress protection grade	IP67
<b>MECHANICAL DATA</b>	Weight Without Cable (g)	<sup>(1)</sup> CG/203, CO/242 - <sup>(2)</sup> CG/117, CO/156
	Case Material	Stainless Steel or Aluminium
	Mounting	3.2 mm diameter holes (4x)

<sup>(1)</sup> Stainless Steel Casing AISI316 Grade (e.g. for offshore/marine environment)

<sup>(2)</sup> Aluminium (MIL-A-8625 Type II coating)

## PERFORMANCES - BY MODEL

Range - g	Sensitivity - mV/g	Freq. Response (-3dB) - Hz	Noise - µg/√Hz
+/- 3	900	0 - 500	1,0
+/- 5	540	0 - 650	1,5

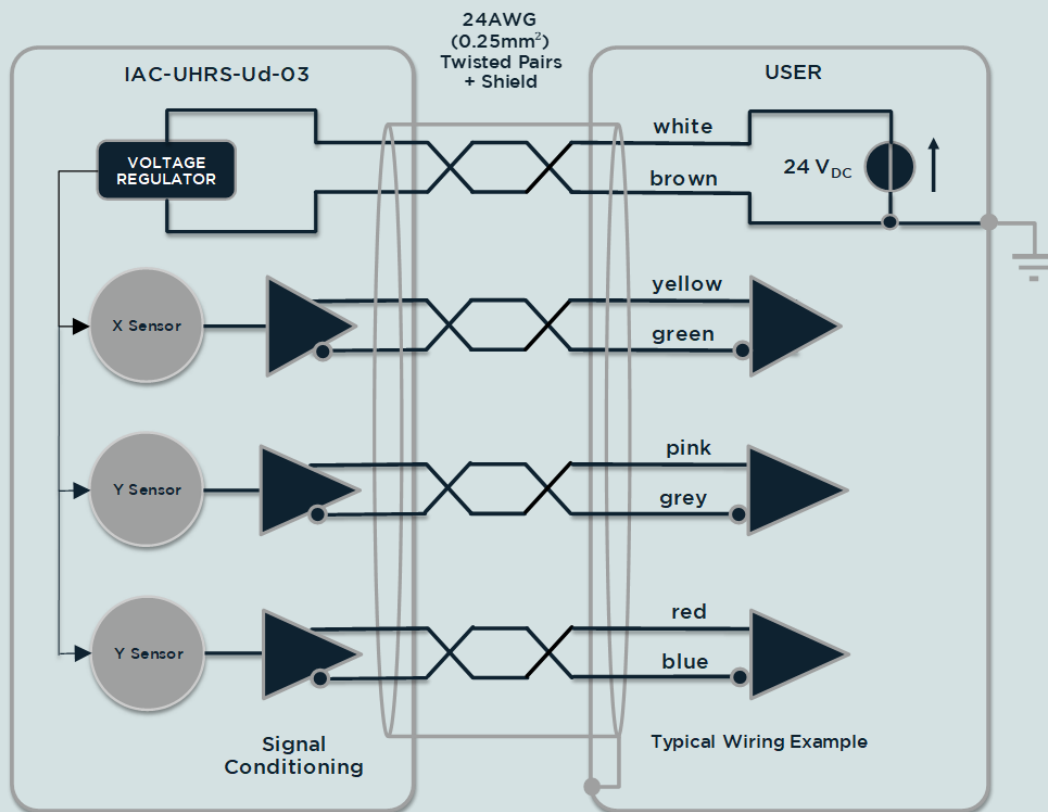
## ELECTRICAL CONNECTIONS - Cable Gland Model

Signal X sensing	Signal Y sensing	Signal Z sensing	4 x 2 x 0,25 <sup>2</sup>
Sensor supply + input	Sensor supply + input	Sensor supply + input	White
Sensor supply - input	Sensor supply - input	Sensor supply - input	Brown
X Axis +			Yellow
X Axis -			Green
	Y Axis +		Pink
	Y Axis -		Grey
		Z Axis +	Red
		Z Axis -	Blue

# ELECTRICAL CONNECTIONS - M12 Connector Model

<b>Ud 03</b>		1	+24VDC	Sensor supply + input
		2	OUT Z -	- Voltage differential output
		3	OUT Z +	+ Voltage differential output
		4	OUT Y -	- Voltage differential output
		5	OUT Y +	+ Voltage differential output
		6	OUT X -	- Voltage differential output
		7	OUT X +	+ Voltage differential output
		8	OVDC	Sensor supply - input

## ELECTRICAL CONNECTIONS



## ORDERING INFORMATION

IAC - UHRS - Ud - 03 - XX - XX - Xg - XX.X m

Cable Connection		Casing		Range	Cable Length
CG	Cable Gland	AL	Aluminium	± 3g	Value in meter
CO	M12	SS	Stainless Steel	± 5g	