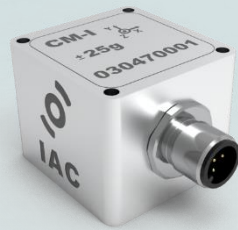
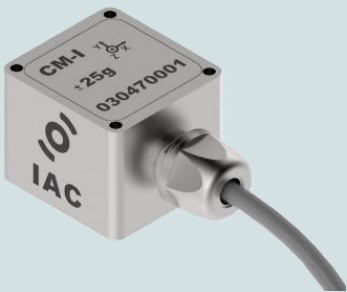


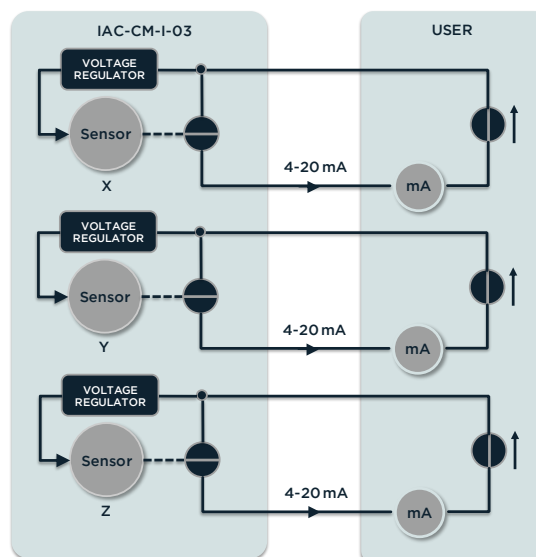
### ACCELEROMETER FOR CONDITION MONITORING



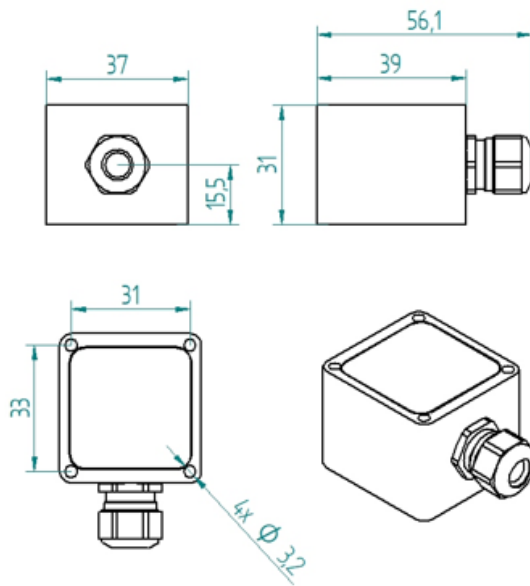
#### PROPERTIES

- 3-axes
- Wide bandwidth (0 -24kHz)
- Embedded 4 - 20 mA signal conditioning
- Self-powered current loop
- Galvanically isolated
- Protected against false polarization
- Compact and rugged design
- IP67 ingress protection grade

#### BLOCK DIAGRAM

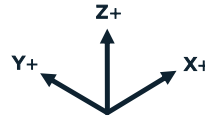


## DIMENSIONS - Cable Gland Model

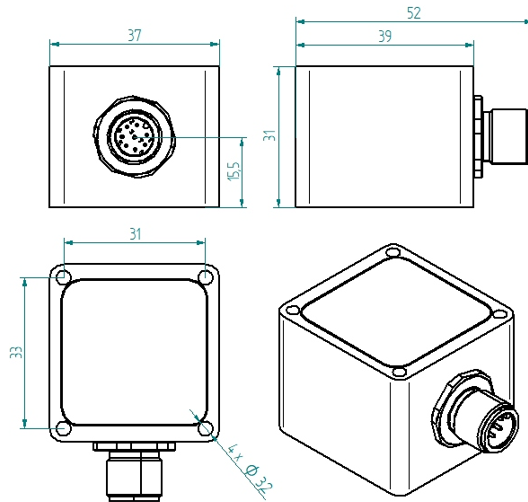


### NOTE

When mounted with sensing axis vertical all units will indicate 1g offset due to gravity



## DIMENSIONS - M12 Connector Model



## MOUNTING ACCESSORIES

See "IAC - Accelerometer Accessories data sheet"

## SPECIFICATIONS - All Models

<b>OUTPUT/CHANNEL</b>	Output Range	4-20mA
	Supply Voltage	12-30V
	Bandwidth (-3dB)	0-24kHz
	Non-linearity	0.5% F.S. typ. - 1.5% F.S. max.
	Sensitivity Error	2%
	Transverse Sensitivity	2% typ. - 5% max.
	Offset dispersion	±1g typ. - ±2g max.
	Destruction limit	1000g
<b>ENVIRONMENTAL CHARACTERISTICS</b>	Temperature Range	Operating -40 to 85°C / -40 to 185°F
	Sensitivity drift	±500ppm/°C
	Offset drift	±50mg/°C
	Ingress protection grade	IP67
<b>MECHANICAL DATA</b>	Weight Without Cable (g)	<sup>(1)</sup> CG/203, CO/223 - <sup>(2)</sup> CG/117, CO/137
	Case Material <sup>(1)</sup>	Stainless Steel or Aluminium
	Mounting	3.2mm diameter holes (4x)

<sup>(1)</sup> Stainless Steel Casing AISI316 Grade (e.g. for offshore/marine environment)

<sup>(2)</sup> Aluminium (MIL-A-8625 Type II coating)

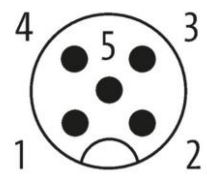
## PERFORMANCES - By Model

Range (g)	Sensitivity (mA/g)	Freq. Response (-3dB) - kHz	Noise (µg/√Hz)
+/- 25	0,257	0 - 10	40
+/- 50	0,128	0 - 10	40
+/- 100	0,064	0 - 10	45
+/- 200	0,032	0 - 15	70
+/- 500	0,0128	0 - 24	150

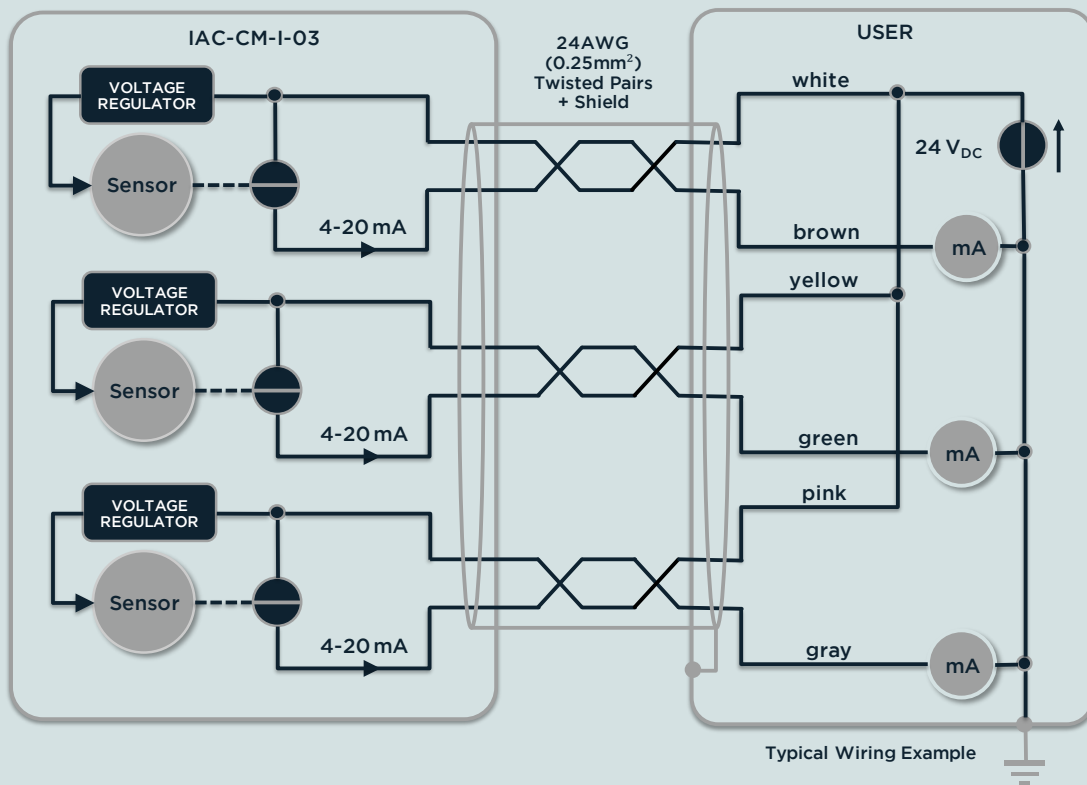
## ELECTRICAL CONNECTIONS - Cable Gland Model

Signal X sensing	Signal Y sensing	Signal Z sensing	3 x 2 x 0,25 <sup>2</sup>
Sensor supply + input			White
X Axis Out			Brown
	Sensor supply + input		Yellow
	Y Axis Out		Green
		Sensor supply + input	Pink
		Z Axis Out	Grey

## ELECTRICAL CONNECTIONS - M12 Connector Model

<b>I 03</b>		1	OUT X	4-20mA current output
		2	OUT Y	4-20mA current output
		3	OUT Z	4-20mA current output
		4	+24VDC	Sensor supply + input
		5	NC	-

## ELECTRICAL CONNECTIONS



## ORDERING INFORMATION

**IAC - CM - I - 03 - AA - XX - Xg - XX - XX.X m**

Sensing Axis	Cable Connection		Range	Casing		Cable Length
XY	CG	Cable Gland	± 25g	AL	Aluminium	Value in meter
XZ	CO	M12	± 50g	SS	Stainless Steel	
YZ			± 100g			
			± 200g			
			± 500g			