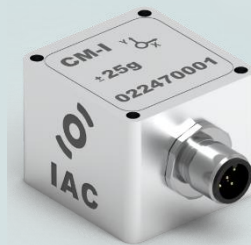
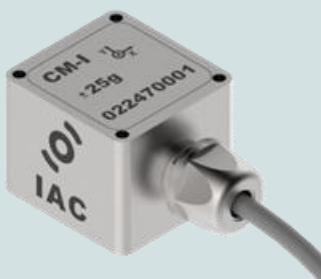


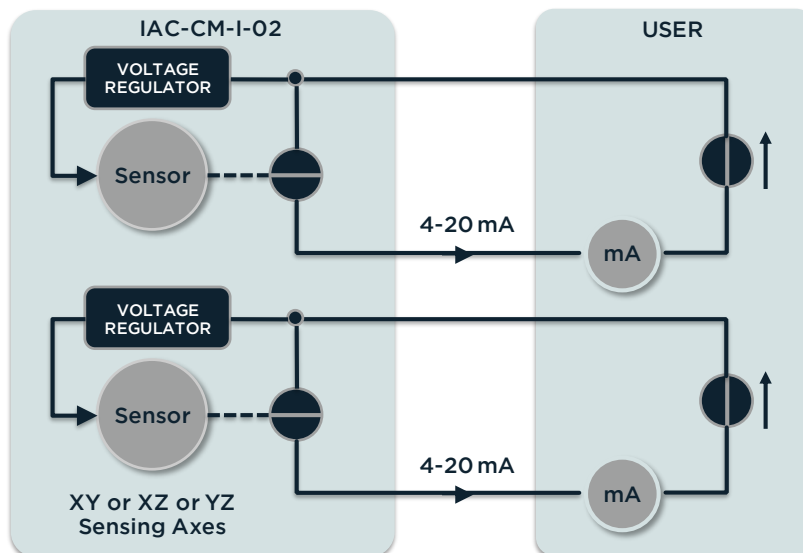
ACCELEROMETER FOR CONDITION MONITORING



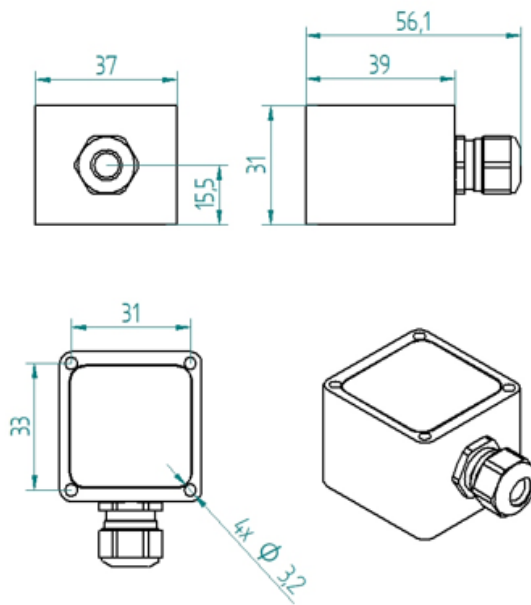
PROPERTIES

- 2-axis
- Wide bandwidth (0 -24kHz)
- Embedded 4 - 20 mA signal conditioning
- Self-powered current loop
- Galvanically isolated
- Protected against false polarization
- Compact and rugged design
- IP67 ingress protection grade

BLOCK DIAGRAM



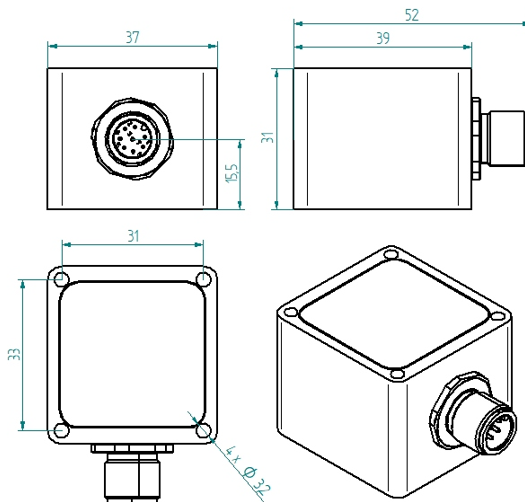
DIMENSIONS - Cable Gland Model



NOTE

When mounted with sensing axis vertical all units will indicate 1g offset due to gravity

DIMENSIONS - M12 Connector Model



MOUNTING ACCESSORIES

See "IAC - Accelerometer Accessories data sheet"

SPECIFICATIONS - All Models

OUTPUT/CHANNEL	Output Range	4-20mA
	Supply Voltage	12-30V
	Bandwidth (-3dB)	0-24kHz
	Non-linearity	0.5% F.S. typ. - 1.5% F.S. max.
	Sensitivity Error	2%
	Transverse Sensitivity	2% typ. - 5% max.
	Offset dispersion	±1g typ. - ±2g max.
	Destruction limit	1000g
ENVIRONMENTAL CHARACTERISTICS	Temperature Range	Operating -40 to 85°C / -40 to 185°F
	Sensitivity drift	±500ppm/°C
	Offset drift	±50mg/°C
	Ingress protection grade	IP67
MECHANICAL DATA	Weight Without Cable (g)	(¹) CG/198, CO/218 - (²) CG/112, CO/132
	Case Material (¹)	Stainless Steel or Aluminium
	Mounting	3.2mm diameter holes (4x)

(¹) Stainless Steel Casing AISI316 Grade (e.g. for offshore/marine environment)

(²) Aluminium (MIL-A-8625 Type II coating)

PERFORMANCES - By Model

Range (g)	Sensitivity (mA/g)	Freq. Response (-3dB) - kHz	Noise (µg/√Hz)
+/- 25	0,257	0 - 10	40
+/- 50	0,128	0 - 10	40
+/- 100	0,064	0 - 10	45
+/- 200	0,032	0 - 15	70
+/- 500	0,0128	0 - 24	150

ELECTRICAL CONNECTIONS - Cable Gland Model

Signal XY sensing	Signal XZ sensing	Signal YZ sensing	2 x 2 x 0,25 ²
Sensor supply + input	Sensor supply + input	Sensor supply + input	White
X Axis Out	X Axis Out	Y Axis Out	Brown
Sensor supply + input	Sensor supply + input	Sensor supply + input	Yellow
Y Axis Out	Z Axis Out	Z Axis Out	Green

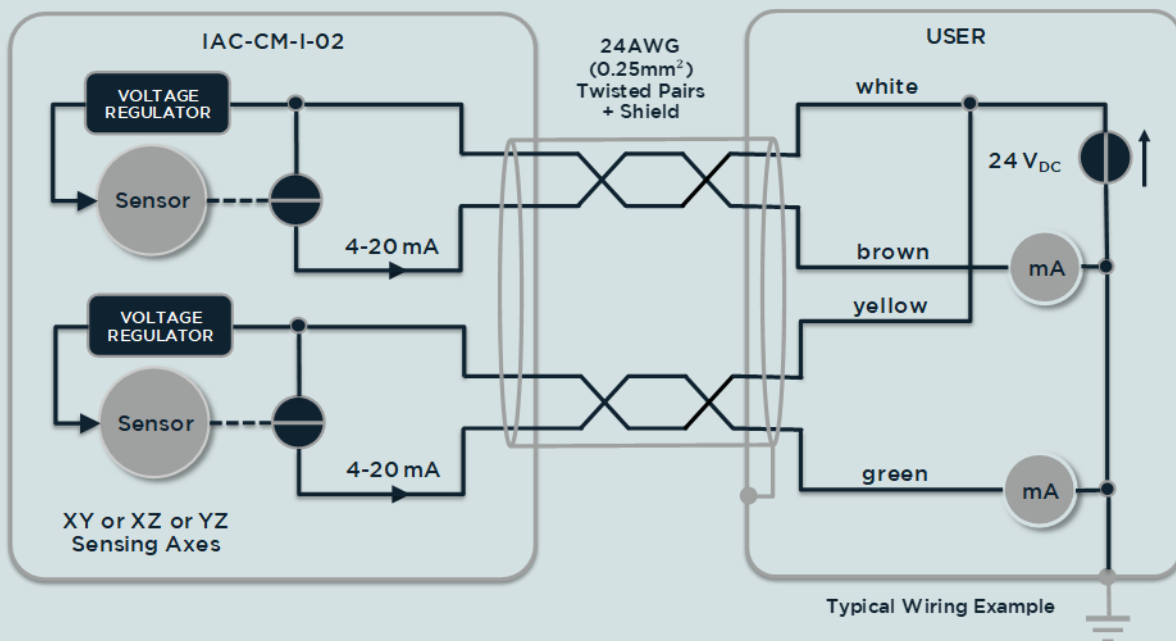
ELECTRICAL CONNECTIONS - M12 Connector Model

I 02	4	3	1	OUT 1	4-20mA current output
	5	2	2	OUT 2	4-20mA current output
	1	1	3	NC	-
	2	4	4	+24VDC	Sensor supply + input
	3	5	5	NC	-

Selected Axes :

X	OUT 1	X	OUT 1	Y	OUT 1
Y	OUT 2	Z	OUT 2	Z	OUT 2

ELECTRICAL CONNECTIONS



ORDERING INFORMATION

IAC - CM - I - 02 - AA - XX - Xg - XX - XX.X m

Sensing Axis	Cable Connection		Range	Casing		Cable Length
XY	CG	Cable Gland	± 25g	AL	Aluminium	Value in meter
XZ	CO	M12	± 50g	SS	Stainless Steel	
YZ			± 100g			
			± 200g			
			± 500g			