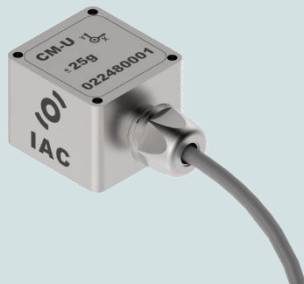


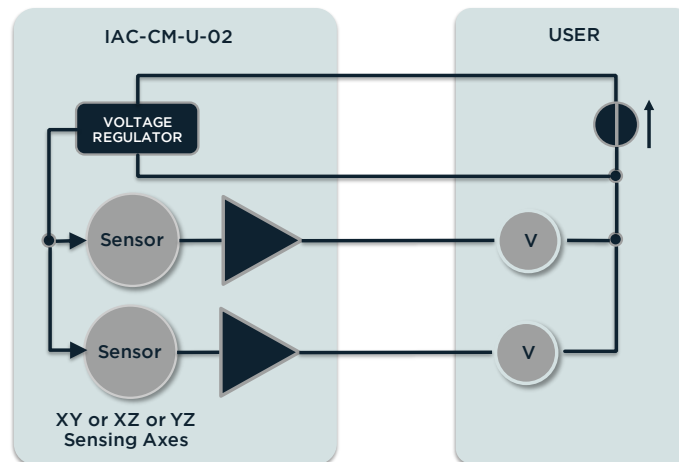
### INDUSTRIAL ACCELEROMETER FOR CONDITION MONITORING



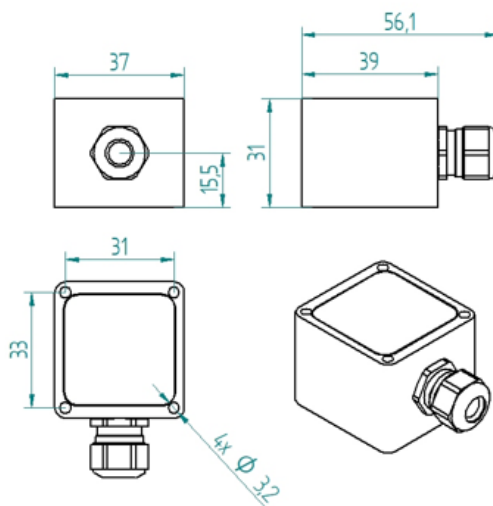
#### PROPERTIES

- 2-axis
- Wide bandwidth (0 - 10kHz)
- Embedded 4 - 20mA signal conditioning
- Self-powered current loop
- Galvanically isolated
- Protected against false polarization
- Compact and rugged design
- IP67 ingress protection grade

#### BLOCK DIAGRAM

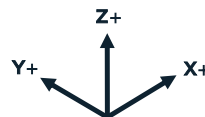


#### DIMENSIONS



#### NOTE

When mounted with sensing axis vertical all units will indicate 1g offset due to gravity



## SPECIFICATIONS - ALL MODELS

<b>OUTPUT/ CHANNEL</b>	Output Range	0-5V	
	Supply Voltage	12-30V	
	Bandwidth (-3dB)	0-10kHz	
	Non-linearity	0.5% F.S. typ. - 1.5% F.S. max.	
	Sensitivity Error	2%	
	Transverse Sensitivity	2% typ. - 5% max.	
	Offset dispersion	±1g typ. - ±2g max.	
	Destruction limit	1000g	
<b>ENVIRONMENTAL CHARACTERISTICS</b>	Temperature Range	Operating From -40 to 80 °C	Non-Operating From -55 to 125 °C
	Sensitivity drift	±500ppm/°C	
	Offset drift	±50mg/°C	
	Ingress protection grade	IP67	
<b>MECHANICAL DATA</b>	Weight Without Cable	50gram / 95gram <sup>(1)</sup>	
	Case Material <sup>(1)</sup>	Aluminium (MIL-A-8625 Type II coating)	
	Mounting	3.2mm diameter holes (4x)	

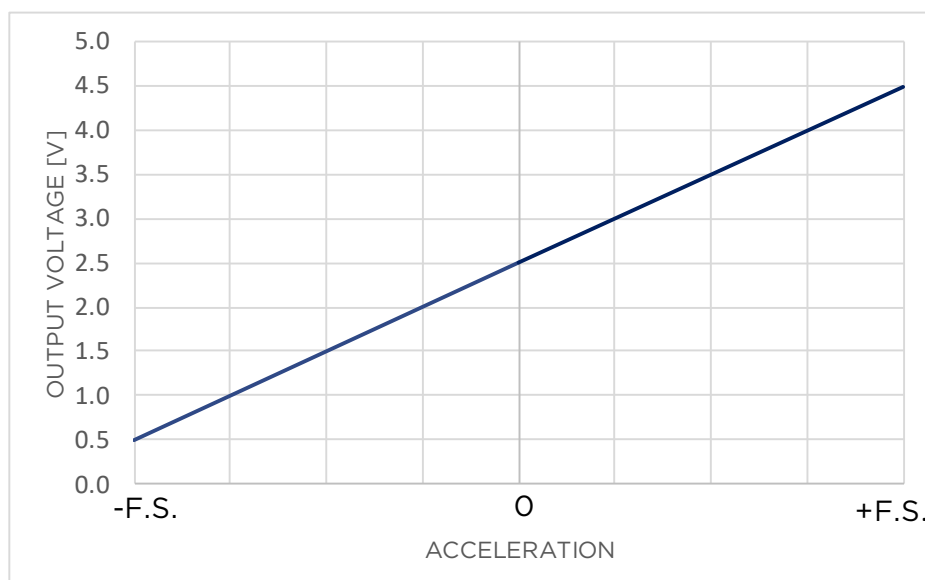
<sup>(1)</sup> Stainless Steel Casing and Cable Gland A4 / AISI316 Grade Upon Request (e.g. for offshore/marine environment)

## PERFORMANCES - BY MODEL

Range (g)	Typ. Sensitivity <sup>(1)</sup> (mV/g)	Noise (µg/√Hz)
±25	80	40
±50	40	40
±100	20	50

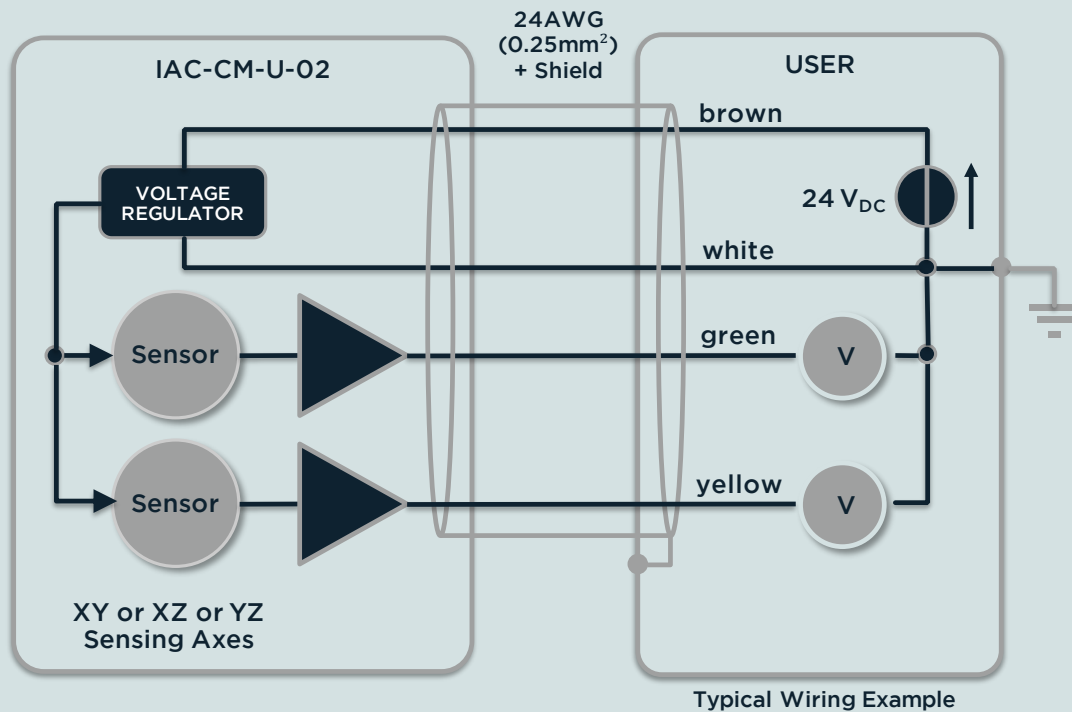
<sup>(1)</sup> Calibration data supplied with sensor

## ELECTRICAL RESPONSE



## ELECTRICAL CONNECTIONS

Signal (XY sensing)	Signal (XZ sensing)	Signal (YZ sensing)	4 x 0.25 <sup>2</sup>
Supply+	Supply+	Supply+	Brown
X-axis	X-axis	Y-axis	Yellow
Y-axis	Z-axis	Z-axis	Green
Supply-	Supply-	Supply-	White



## ORDERING INFORMATION

IAC	-	CM	-	U	-	02	-	A	-	X	g	-	XX.X	m
							Sensing Axis		RANGE		Cable Length			
							XY	25	± 25g					
							XZ	50	± 50g					
							YZ	100	± 100g					